



GREENSPOKE

BIKE PARKING SOLUTIONS

1-844-888-9999
www.gogreenspoke.com

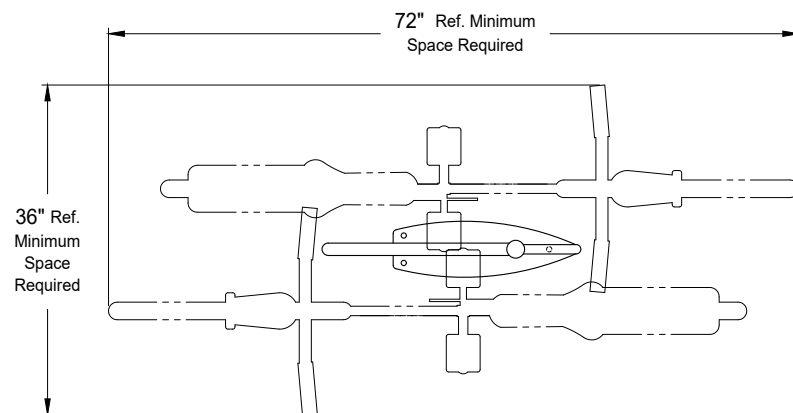
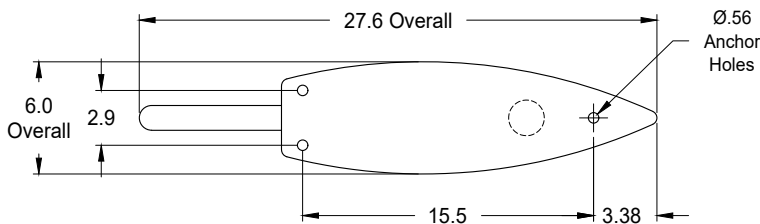
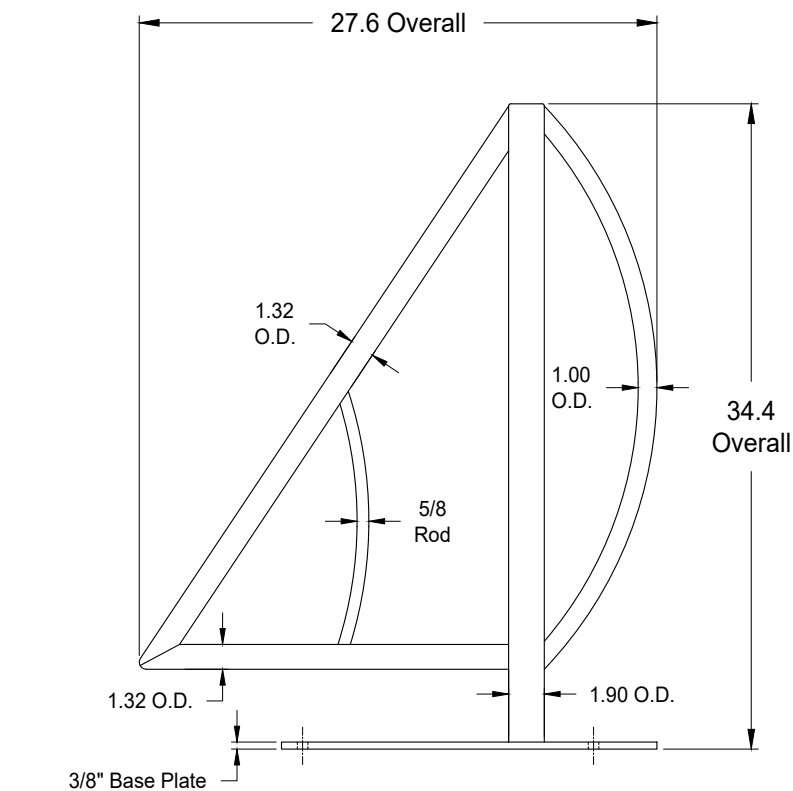
"Sea-Breeze" Bike Rack

Model: **850180**

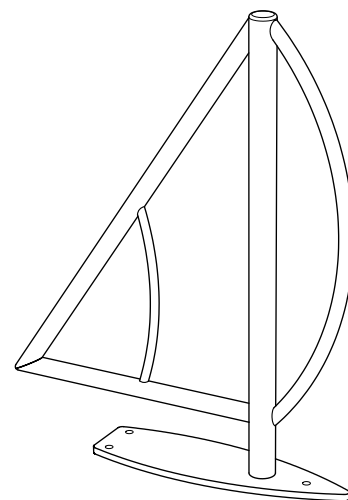
Capacity: **2 Bikes**

- *Specifications* -

Rev.: 19Jun23



Top View Showing Recommended Spacing Requirements
(1/2 Scale)



Materials:

- 1.9" O.D. x .125" Wall Steel Tube (Mast)
- 1.32" O.D. x .100" Wall Steel Tube
- 1.05 O.D. x .100" Wall Steel Tube
- 5/8" Dia. Steel Rod
- 3/8" Thick Steel Base Plate
- Anchoring Hardware Available Upon Request.

Finish:

Polyester Powder Paint over Zinc Rich Primer.

Notes:

Dimensions shown are in inches.

Greenspoke maintains a policy of continuous product improvement. As a result, some details may change without notice.