

Twin Topper



GREENSPOKE
BIKE PARKING SOLUTIONS

1-844-888-9999
www.gogreenspoke.com

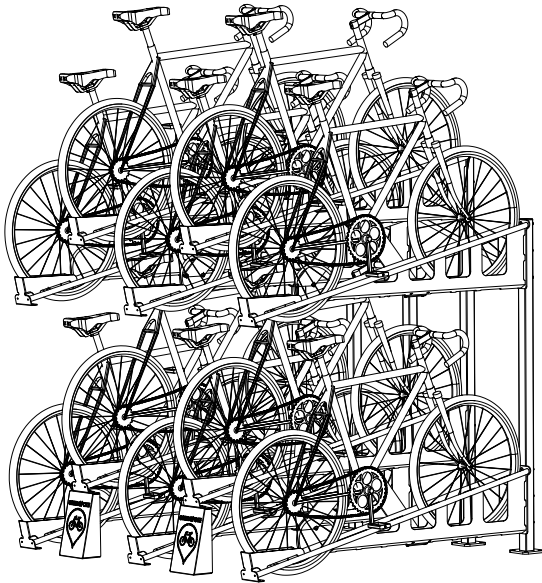
Twin Topper Bi-Level Bike Rack System

6-Bike Starter Module, Model: 851250-6
4-Bike Add-On Module, Model: 851250-4A
(4-Bike Add-On Modules Provide Infinite Capacity!)

- Specifications -

Sheet 1 of 3 (See Sheets 2 and 3 for Assembly & Layout Details.)

Rev.: 10Dec24



Shown: **6-Bike Starter Module**, Model: 851250-6
Plus **4-Bike Add-On Module**, Model: 851250-4A
Total Capacity: 10 Bikes

Description and Use:

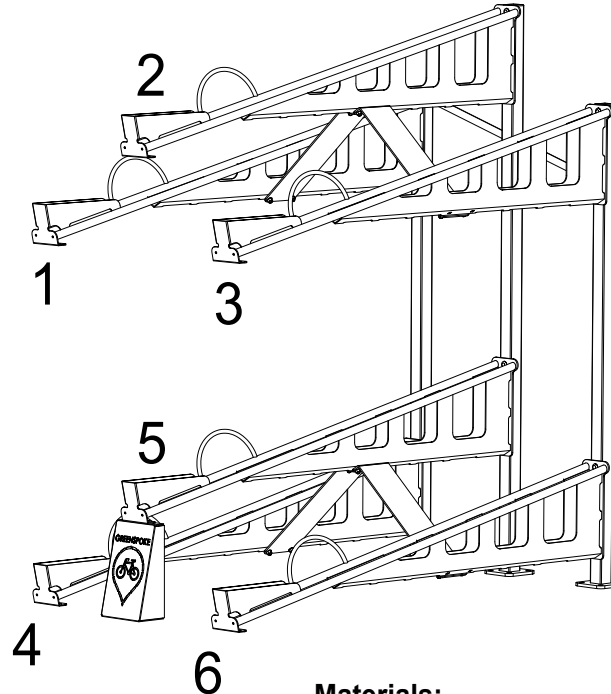
The Twin Topper Bi-Level Bike Rack System allows you to park 2 bikes in the space normally required for just 1 bike. The simple Twin Topper System has no moving parts which makes it safe, secure and reliable. The upper tiers are well-suited for lighter road or hybrid city bikes that must be lifted up into the convenient, self-guiding trays. Simply set the front wheel into the tray and push the bike ahead until the rear wheel is securely in the rear chock.

The first component required is the **6-Bike Starter Module** which is fully self-supporting. You can then add any number of **4-Bike Add-On Modules**.
(6 + 4 + 4 + 4 + 4, etc.)

Total Bike Capacity Increments:

6 (Min.), 10, 14, 18, 22, 26, 30, 34, 38, 42, etc.

6-Bike Starter Module Model: 851250-6



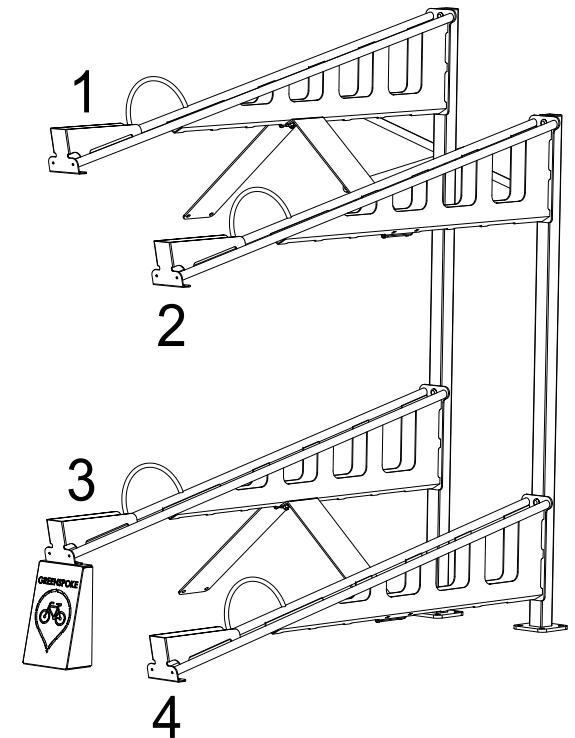
Materials:

Heavy Gauge Steel throughout.
Stainless Steel assembly hardware.

Installation Mode:

The Twin Topper is a **Surface-Mount** rack; Convenient anchor points are provided to secure the rack to a concrete, tile or wood floor. Anchoring Hardware is available upon request.

4-Bike Add-On Module Model: 851250-4A



Finishes:

- 1) Polyester Powder over Zinc Rich Primer.
- 2) Hot Dip Galvanized.

Greenspoke maintains a policy of continuous product improvement. As a result, some details may change without notice.



Twin Topper Bi-Level Bike Rack System

6-Bike Starter Module, Model: 851250-6
4-Bike Add-On Module, Model: 851250-4A

- Specifications -

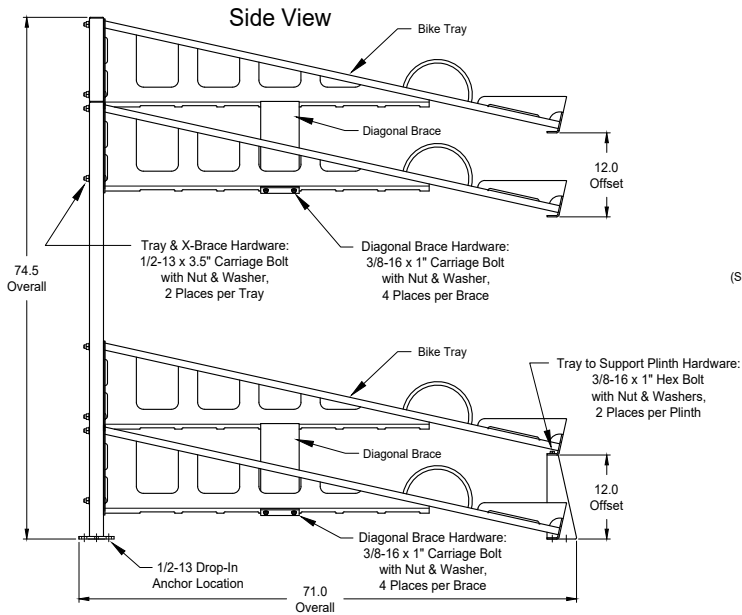
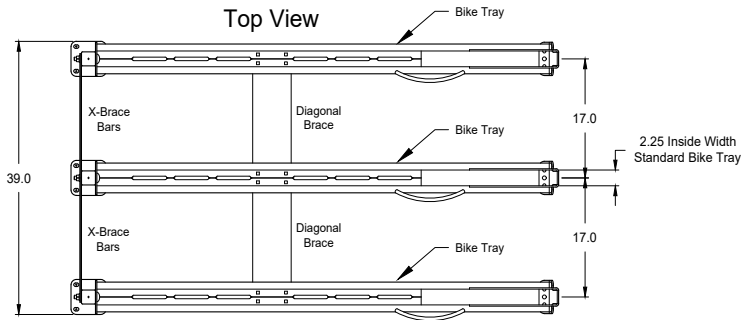
Sheet 2 of 3 (Module Assembly Guide)

Dimensions shown are in inches.

Rev.: 10Dec24

6-Bike Starter Module
Model: 851250-6

4-Bike Add-On Module
Model: 851250-4A

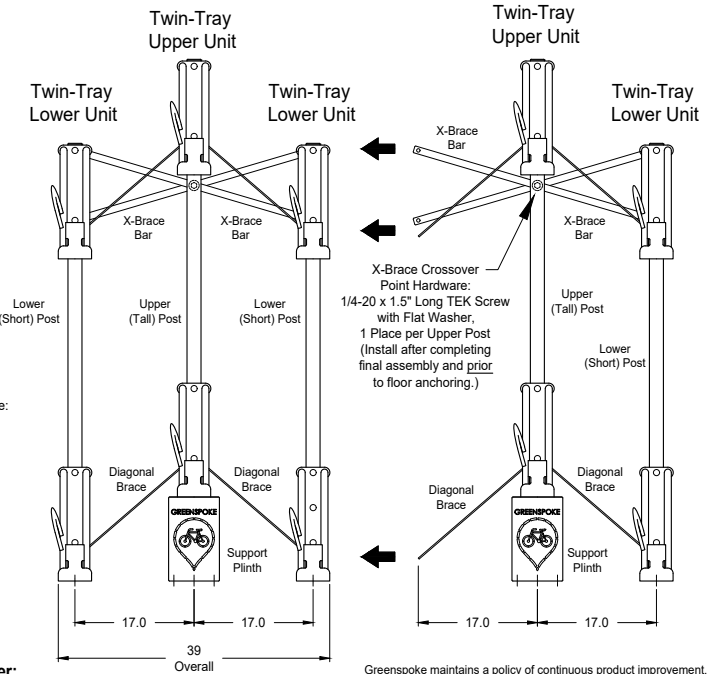


6-Bike Starter Module Assembly Order:

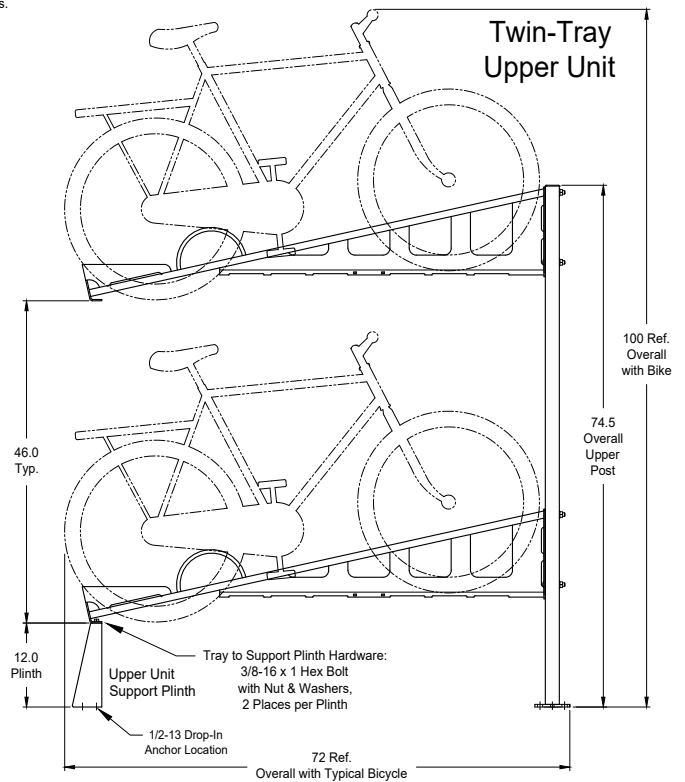
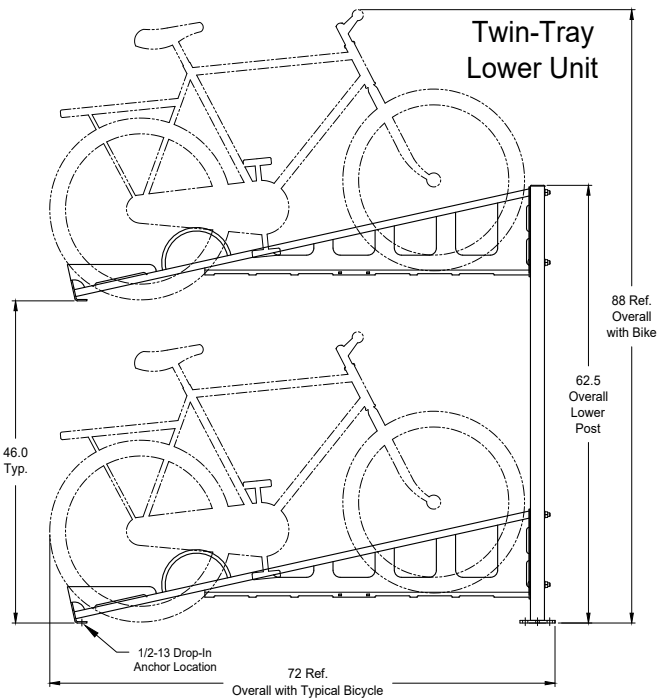
- 1) Attach Bike Trays to Lower (Short) Posts.
- 2) Attach Bike Trays to Upper (Tall) Posts.
- 3) Attach Support Plinth to Lower Tray on Upper (Tall) Posts.
- 4) Attach Diagonal Braces.
- 5) Attach X-Braces (Removing and Replacing Nuts, As-Required).

4-Bike Add-On Module Assembly Order:

- 1) Attach Bike Trays to Lower (Short) Posts.
- 2) Attach Bike Trays to Upper (Tall) Posts.
- 3) Attach Support Plinth to Lower Tray on Upper (Tall) Posts.
- 4) Attach Diagonal Braces and Link Modules, (Removing and Replacing Nuts, As-Required).
- 5) Attach X-Braces and Link Modules (Removing and Replacing Nuts, As-Required).



Greenspoke maintains a policy of continuous product improvement. As a result, some details may change without notice.



Twin Topper



GREENSPOKE
BIKE PARKING SOLUTIONS

1-844-888-9999
www.gogreenspoke.com

- Specifications -

Sheet 3 of 3 (Layout & Hardware Details)

Rev.: 10Dec24

Typical Layout Example (for 22 Bikes)

Shown:

1 x **6-Bike** Starter Module and
3 x **4-Bike** Add-On Modules

Description and Use:

The Twin Topper Bi-Level Bike Rack System allows you to park 2 bikes in the space normally required for just 1 bike. The simple Twin Topper System has no moving parts which makes it safe, secure and reliable. The upper tiers are well-suited for lighter road or hybrid city bikes that must be lifted up into the convenient, self-guiding trays. Simply set the front wheel into the tray and push the bike ahead until the rear wheel is securely in the rear chock.

The first component required is the

6-Bike Starter Module which is fully self-supporting. You can then add any number of **4-Bike Add-On Modules**.
(6 + 4 + 4 + 4 + 4, etc.)

Total Bike Capacity Increments:

6 (Min.), 10, 14, 18, 22, 26, 30, 34, 38, 42, etc.

Installation Mode:

The Twin Topper is a **Surface-Mount** rack; Convenient anchor points are provided to secure the rack to a concrete, tile or wood floor. Anchoring Hardware for Concrete Floor Included.

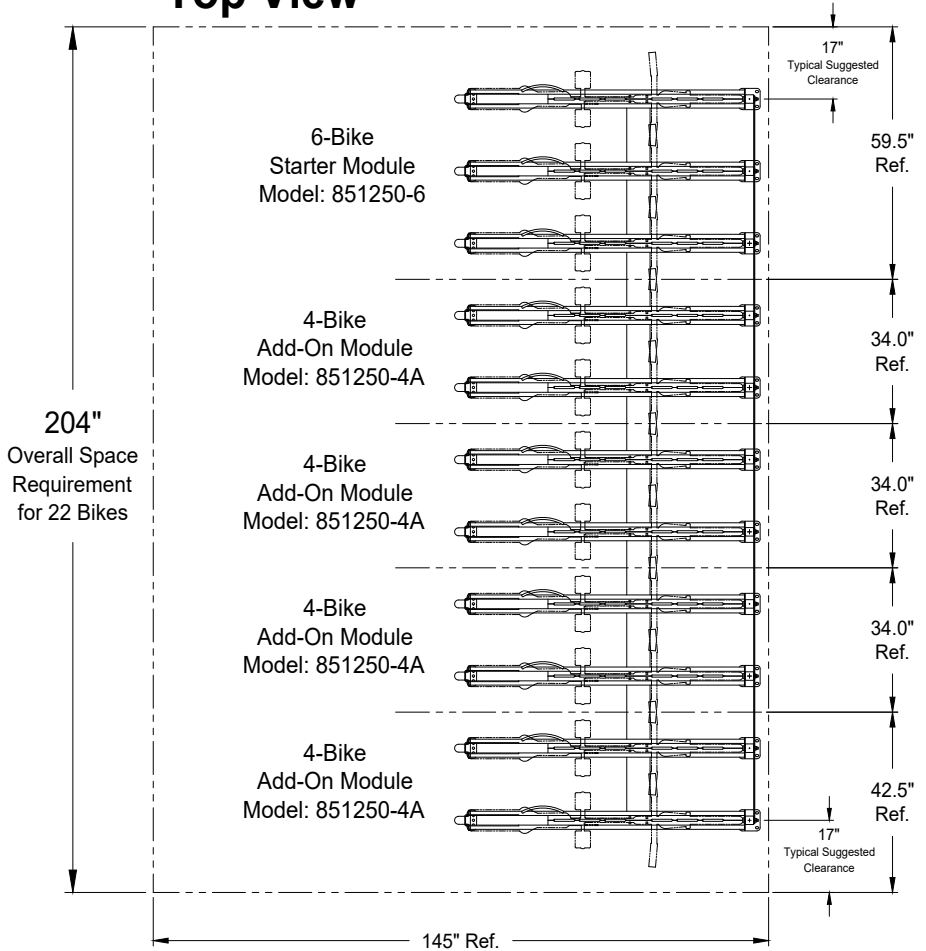
Assembly Hardware for 851250-6 (6-Bike Starter Module)

ITEM	DESCRIPTION	PART NUMBER	QTY
9	1/4-20 x 1.5" Long TEK Screw (Self-Drilling & Tapping)	-	1
8	1/2-13 Drop-In Anchor System	-	16
7	1/2" Flat Washer, S.S.	-	12
6	1/2-13 Nyloc Hex Nut, S.S.	-	12
5	1/2-13 x 3.5" Long Carriage Bolt, S.S.	-	12
4	3/8" Flat Washer, S.S.	-	21
3	3/8-16 Nyloc Hex Nut, S.S.	-	18
2	3/8-16 x 1" Long Carriage Bolt, S.S.	-	16
1	3/8-16 x 1" long Hex Head Bolt, S.S.	-	2

Assembly Hardware for 851250-4A (4-Bike Add-On Module)

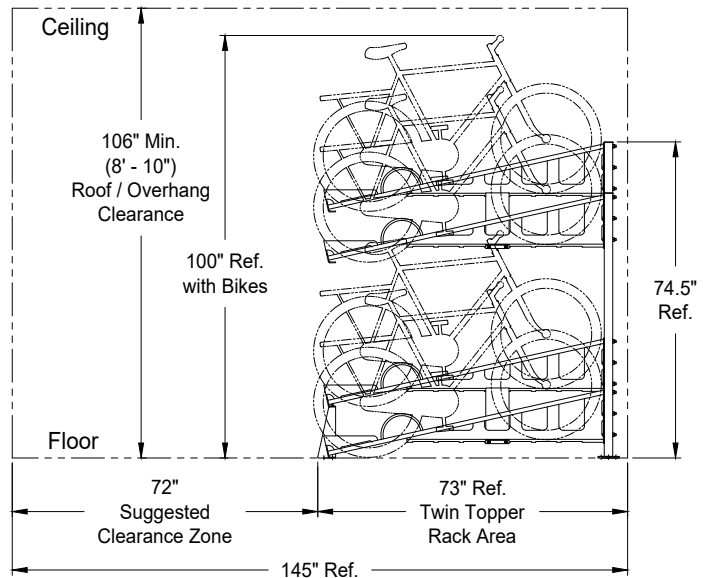
ITEM	DESCRIPTION	PART NUMBER	QTY
9	1/4-20 x 1.5" Long TEK Screw (Self-Drilling & Tapping)	-	1
8	1/2-13 Drop-In Anchor System	-	11
7	1/2" Flat Washer, S.S.	-	8
6	1/2-13 Nyloc Hex Nut, S.S.	-	8
5	1/2-13 x 3.5" Long Carriage Bolt, S.S.	-	8
4	3/8" Flat Washer, S.S.	-	21
3	3/8-16 Nyloc Hex Nut, S.S.	-	18
2	3/8-16 x 1" Long Carriage Bolt, S.S.	-	16
1	3/8-16 x 1" long Hex Head Bolt, S.S.	-	2

Top View



Side View

Greenspoke maintains a policy of continuous product improvement. As a result, some details may change without notice.



Important Stainless Steel Hardware Notes - Use "Anti-Seize" to Prevent Galling -

To prevent galling, we strongly recommend that all fasteners be initially assembled by hand to prevent cross-threading. Anti-seize compound should be applied to the threads prior to assembly.