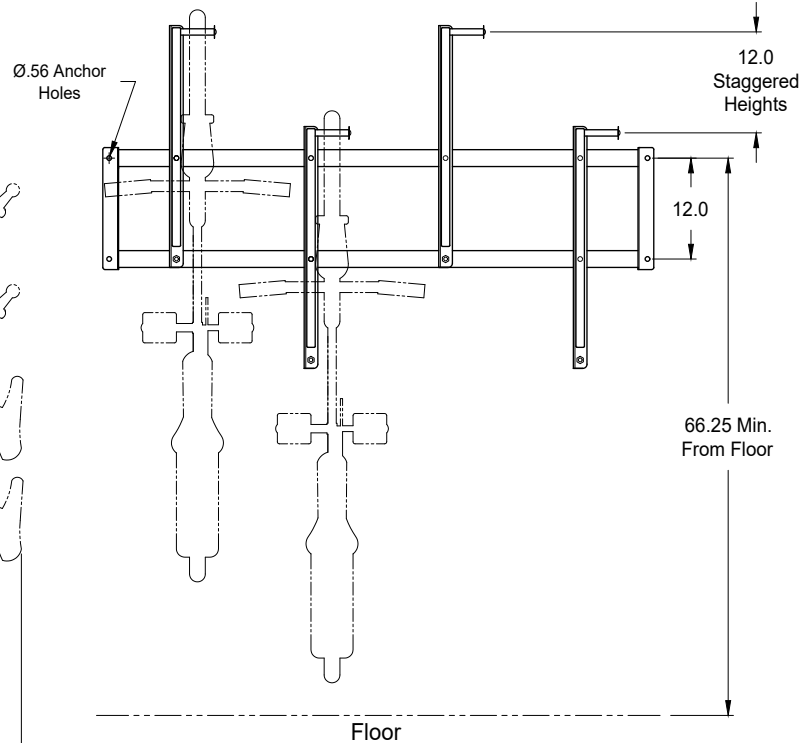
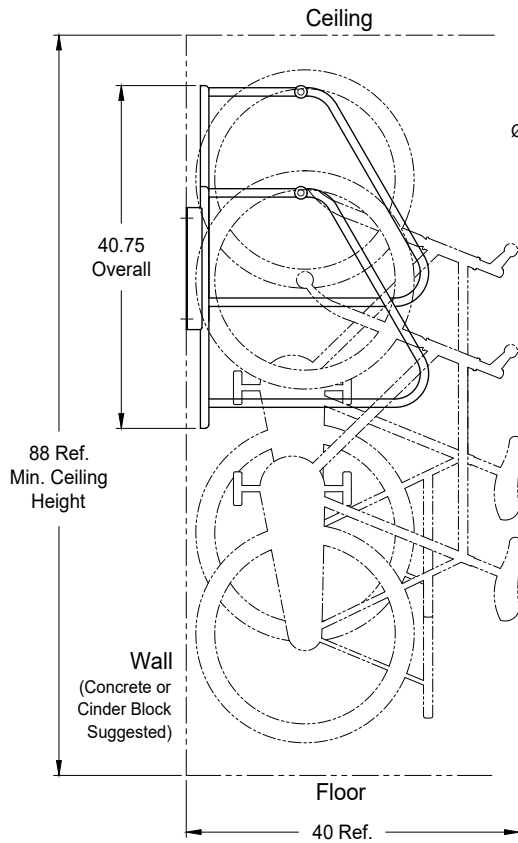
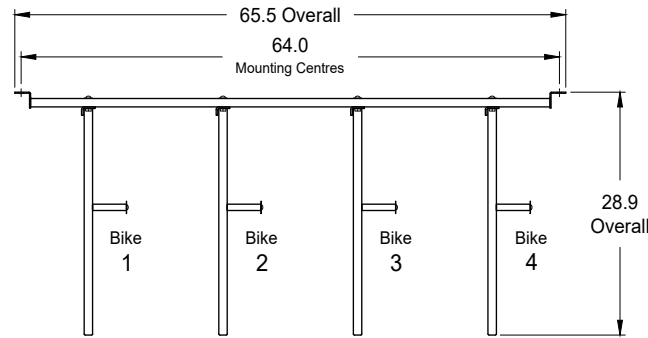




GREENSPOKE BIKE PARKING SOLUTIONS

1-844-888-9999
www.gogreenspoke.com

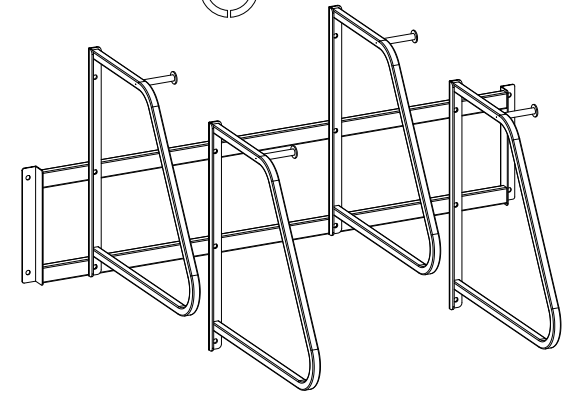
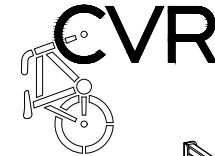


Compact Vertical Rack System (CVR)

Wall Mount Model: CVR-W

- Specifications -

Rev.: 17Oct23



Materials:

- 1" x 1" x .125" Wall Steel Tube (Hook Brackets)
- 1/2" Dia. CRS Rod (Wheel Hook)
- 1/2" I.D. x 4" Long Vinyl Sleeve (for Wheel Hook)
- 3/16" Thick Steel (Mounting Brackets)
- 1" x 2" x .125" Wall Steel Tube (Horizontal Rails)
- 3/8-16 Security Hardware, S.S.

Finish:

- 1) Polyester Powder Top Coat over Zinc Rich Primer.
- 2) Hot Dip Galvanized Coating.

Wall Anchoring Hardware: Available upon request.

Concrete or Cinder Block Wall Material Suggested.

Dimensions shown are in inches.

Greenspoke maintains a policy of continuous product improvement. As a result, some details may change without notice.

Model: CVR-W, Wall Mount, 4-Bike Unit B.O.M.

5	3/8" Lock Washer, Spit Ring, S.S.	-	8
4	3/8" Flat Washer, S.S.	-	8
3	3/8-16 x 2" Long, Button Head Security Bolt, S.S.	-	8
2	CVR Hook Bracket with Weldnuts	-	4
1	CVR Horizontal Rail Weldment	-	1
ITEM	DESCRIPTION	PART NUMBER	QTY