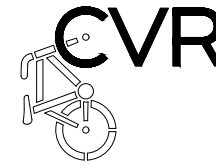
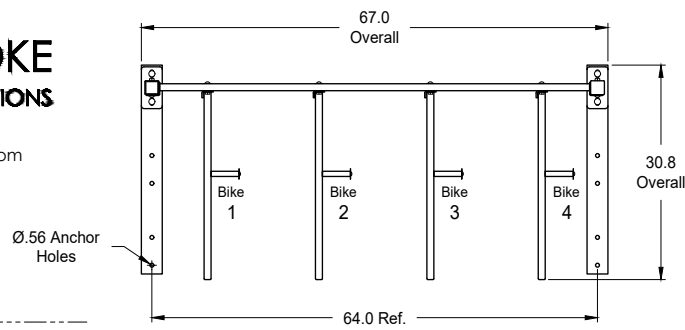




**GREENSPOKE**  
BIKE PARKING SOLUTIONS

1-844-888-9999  
www.gogreenspoke.com

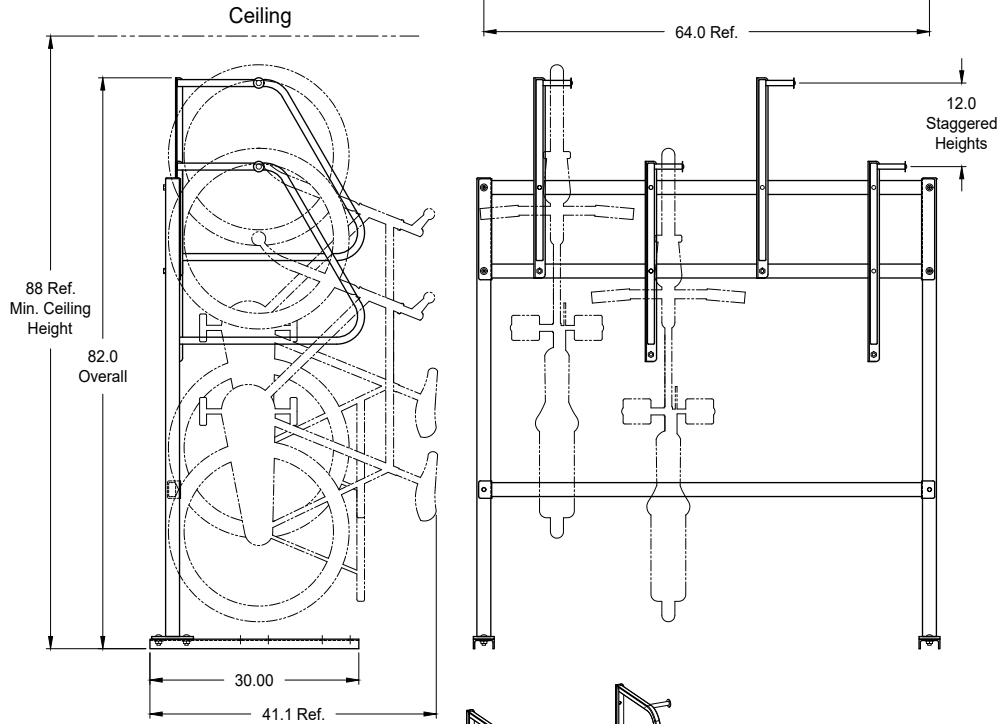


**Compact Vertical Rack**  
**System (CVR)**  
Single Sided Floor Mount Models

Model: CVR-S  
Single Sided Floor Mount  
4-Bike Unit B.O.M.

- Specifications -

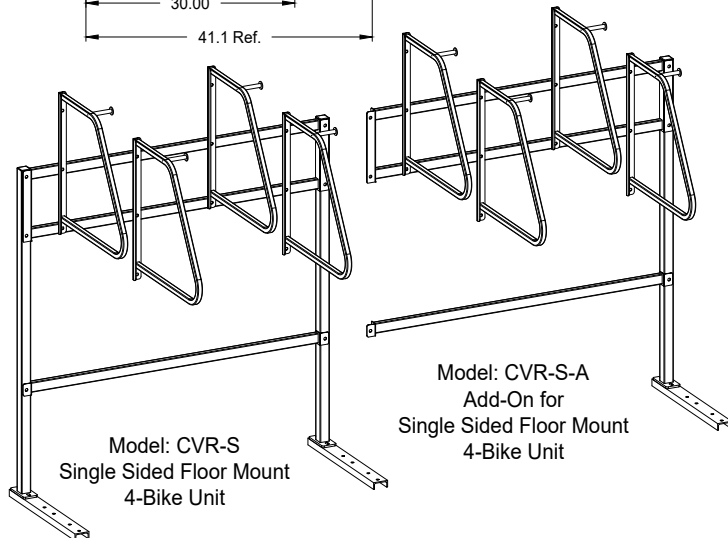
Rev.: 13Dec18



ITEM	DESCRIPTION	PART NUMBER	QTY
13	Rear Wheel Support Rail	-	1
12	3/8-16 Hex Nut, S.S.	-	2
11	3/8" Lock Washer, Spit Ring, S.S.	-	14
10	3/8" Flat Washer, S.S.	-	14
9	3/8-16 x 3" Long, Button Head Security Bolt, S.S.	-	6
8	3/8-16 x 2" Long, Button Head Security Bolt, S.S.	-	8
7	1/2" Flat Washer, S.S.	-	4
6	1/2-13 Nyloc Nut, S.S.	-	4
5	1/2-13 x 1.25" Long Carriage Bolt, S.S.	-	4
4	CVR Hook Bracket with Weldnuts	-	4
3	CVR Single Sided Base Channel	-	2
2	CVR Horizontal Rail Weldment	-	1
1	CVR Post	-	2

Model: CVR-S-A  
Add-On for  
Single Sided Floor Mount  
4-Bike Unit B.O.M.

ITEM	DESCRIPTION	PART NUMBER	QTY
13	Rear Wheel Support Rail	-	1
12	3/8-16 Hex Nut, S.S.	-	1
11	3/8" Lock Washer, Spit Ring, S.S.	-	11
10	3/8" Flat Washer, S.S.	-	11
9	3/8-16 x 3" Long, Button Head Security Bolt, S.S.	-	3
8	3/8-16 x 2" Long, Button Head Security Bolt, S.S.	-	8
7	1/2" Flat Washer, S.S.	-	2
6	1/2-13 Nyloc Nut, S.S.	-	2
5	1/2-13 x 1.25" Long Carriage Bolt, S.S.	-	2
4	CVR Hook Bracket with Weldnuts	-	4
3	CVR Single Sided Base Channel	-	1
2	CVR Horizontal Rail Weldment	-	1
1	CVR Post	-	1



**Materials:**

- 1" x 1" x .125" Wall Steel Tube (Hook Brackets)
- 1/2" Dia. CRS Rod (Wheel Hook)
- 1/2" I.D. x 4" Long Vinyl Sleeve (for Wheel Hook)
- 3/16" Thick Steel (Mounting Brackets)
- 1" x 2" x .125" Wall Steel Tube (Horizontal Rails)
- 2" x 2" x .125" Wall Steel Tube (Posts)
- 3/8" Thick Steel (Post Base Plates)
- 3" x 1.63" x 3/16" Thick Steel Channel (Base Channels)
- 3/8-16 Security Hardware, S.S.
- 1/2-13 Carriage Bolts, S.S.

**Finish:**

- 1) Polyester Powder Top Coat over Zinc Rich Primer.
- 2) Hot Dip Galvanized Coating.

**Anchoring Hardware:** Available upon request.

Dimensions shown are in inches.

Greenspoke maintains a policy of continuous product improvement. As a result, some details may change without notice.