



Twin Topper Bi-Level Bike Rack System

6-Bike Starter Module, Model: 851250-6
4-Bike Add-On Module, Model: 851250-4A

- Specifications -

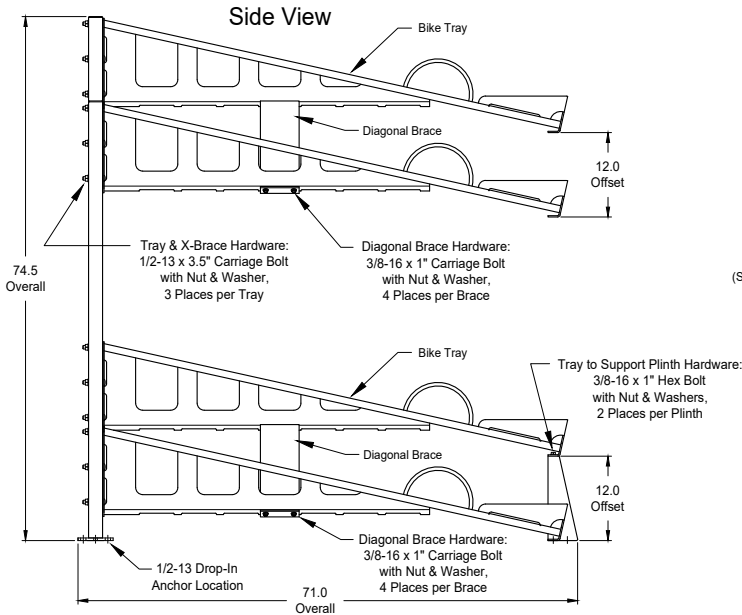
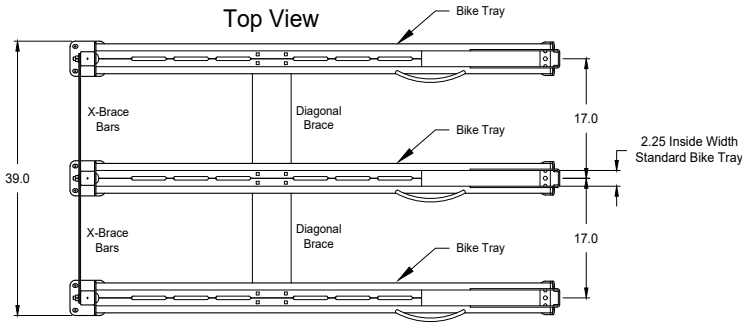
Sheet 2 of 3 (Module Assembly Guide)

Dimensions shown are in inches.

Rev.: 04Oct23

6-Bike Starter Module
Model: 851250-6

4-Bike Add-On Module
Model: 851250-4A



6-Bike Starter Module Assembly Order:

- 1) Attach Bike Trays to Lower (Short) Posts.
- 2) Attach Bike Trays to Upper (Tall) Posts.
- 3) Attach Support Plinth to Lower Tray on Upper (Tall) Posts.
- 4) Attach Diagonal Braces.
- 5) Attach X-Braces (Removing and Replacing Nuts, As-Required).

4-Bike Add-On Module Assembly Order:

- 1) Attach Bike Trays to Lower (Short) Posts.
- 2) Attach Bike Trays to Upper (Tall) Posts.
- 3) Attach Support Plinth to Lower Tray on Upper (Tall) Posts.
- 4) Attach Diagonal Braces and Link Modules. (Removing and Replacing Nuts, As-Required).
- 5) Attach X-Braces and Link Modules (Removing and Replacing Nuts, As-Required).

