



GREENSPOKE BIKE PARKING SOLUTIONS

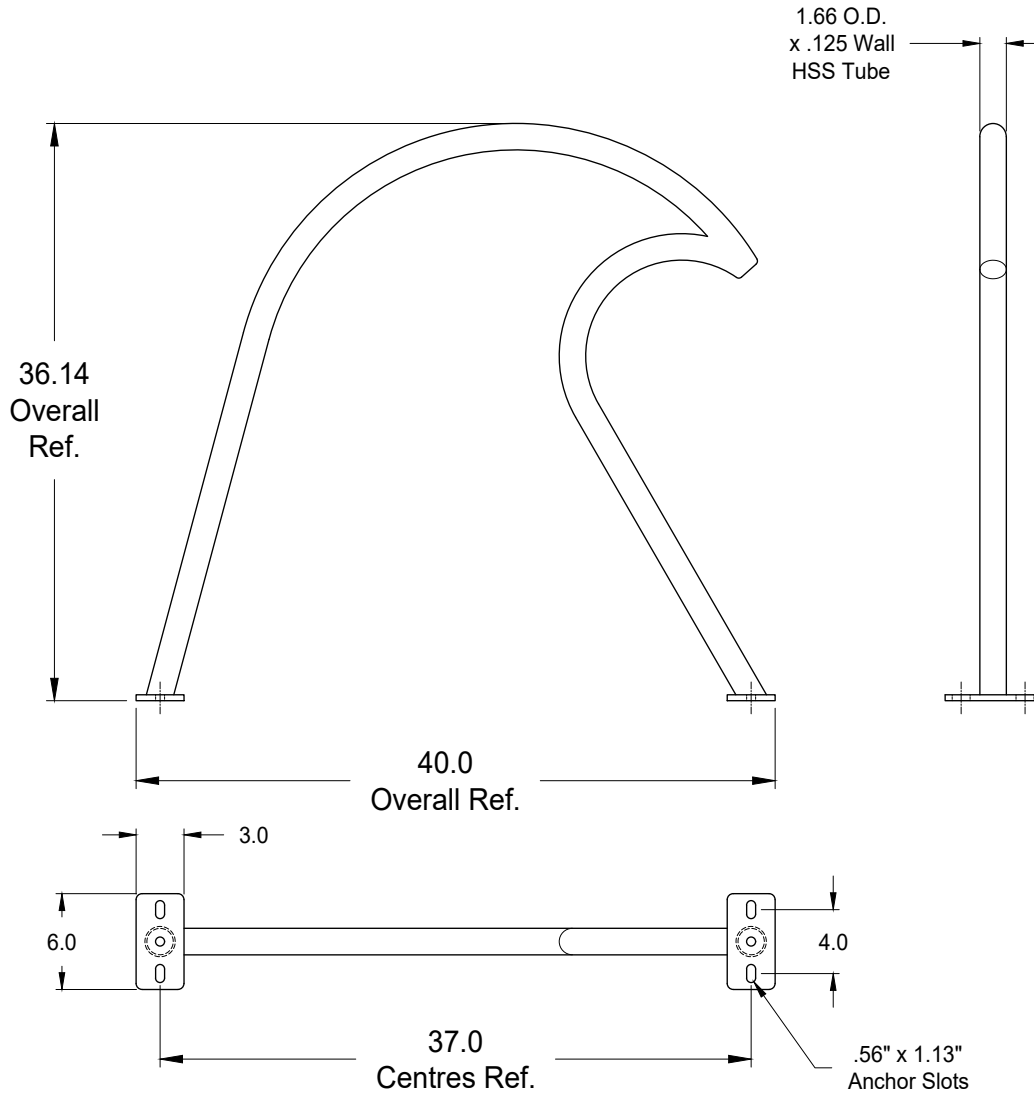
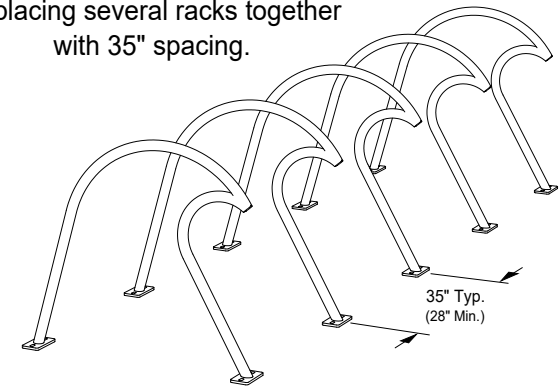
1-844-888-9999
www.gogreenspoke.com

Wave Crest Rack - Specifications - Model: 851210

Capacity: 2 Bikes

Rev.: 31Aug23

Create a dramatic "Rolling Wave"
by placing several racks together
with 35" spacing.



Materials:

1.66" O.D. x .125" Wall High Strength Steel Tube
3/8" Thick Steel Base Plates
Note: Anchoring Hardware available upon request.

Finish:

Polyester Powder Paint over Zinc Rich Primer.

Notes:

Dimensions shown are in inches.

Greenspoke maintains a policy of continuous product improvement. As a result, some details may change without notice.

