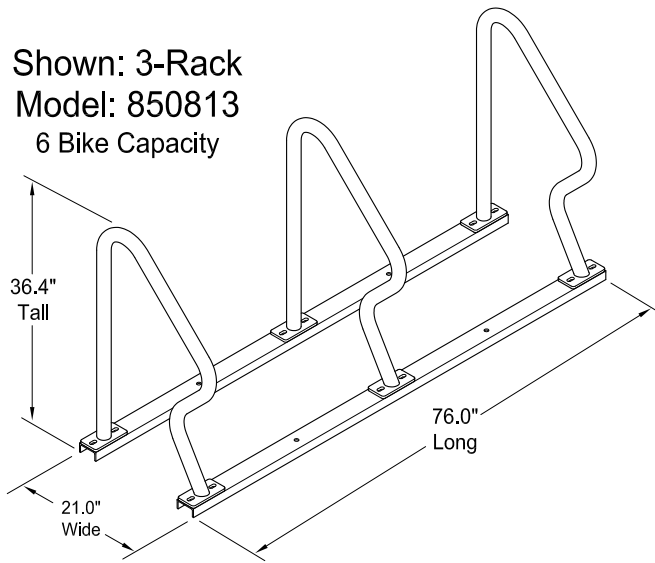


Shown: 3-Rack  
 Model: 850813  
 6 Bike Capacity



## Multi-R Rail Rack, Multiples of 3 to 6 Racks Surface Mount Only

### Description:

The Multi-R Rail Rack provides an instant bike corral and is available in a variety of lengths to suit your needs.

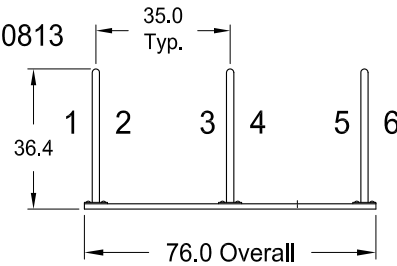
The individual R-Racks provide multiple locking points to suit any style of bicycle. The modular design breaks down for shipping and allows for the replacement of damaged components.

The Surface Mount configuration can be anchored for added security or left as portable.

## Multi-R Rail Rack, Multiples of 3 to 6 Racks Surface Mount Only

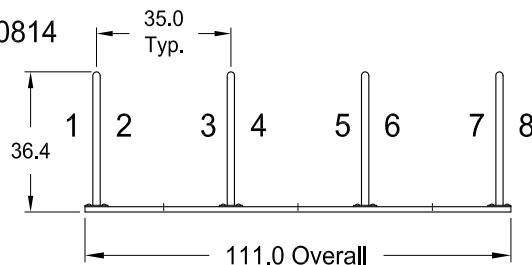
### 3-Rack

Surface Mount Model: 850813  
 6 Bike Capacity



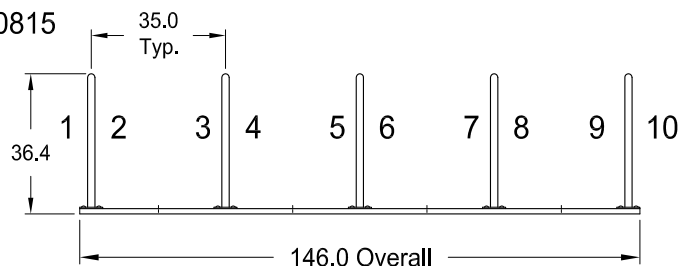
### 4-Rack

Surface Mount Model: 850814  
 8 Bike Capacity



### 5-Rack

Surface Mount Model: 850815  
 10 Bike Capacity



### 6-Rack

Surface Mount Model: 850816  
 12 Bike Capacity

