



# GREENSPOKE

## BIKE PARKING SOLUTIONS

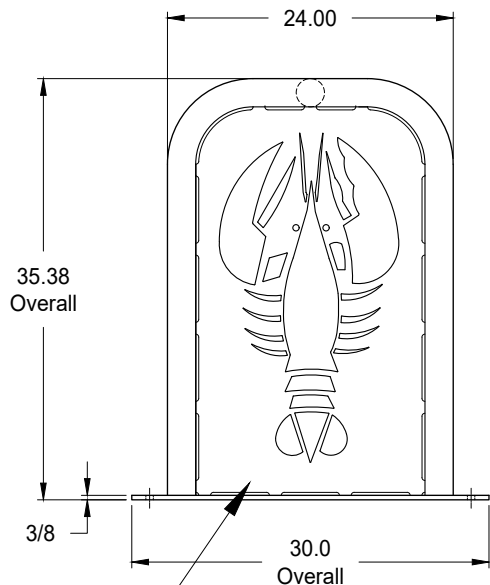
1-844-888-9999  
www.gogreenspoke.com

# M-Rack with Lobster End Panels

Model: **850550** (Painted, Red) Capacity: 7 Bikes Nominal, 9 Bikes Maximum

## - Specifications -

Rev.: 15Aug23



### Laser-Cut "Lobster" End Panels

(2 Panels, Welded in Place):  
With 18.75" Wide x 32" Tall  
Available Space for Graphics.

Ask your Greenspoke Representative  
about Custom Logo Options.

### Materials:

2.375" O.D. x .125" Steel Tube  
.104" Thick Steel (Lobster Plates)  
3/8" Thick Steel (Base Plates)

### Finish:

Polyester Powder Paint  
over Zinc Rich Primer.

### Notes:

Dimensions shown are Imperial (inches).  
Anchoring Hardware Available Upon Request.

Greenspoke maintains a policy  
of continuous product improvement.  
As a result, some details may change without notice.

