

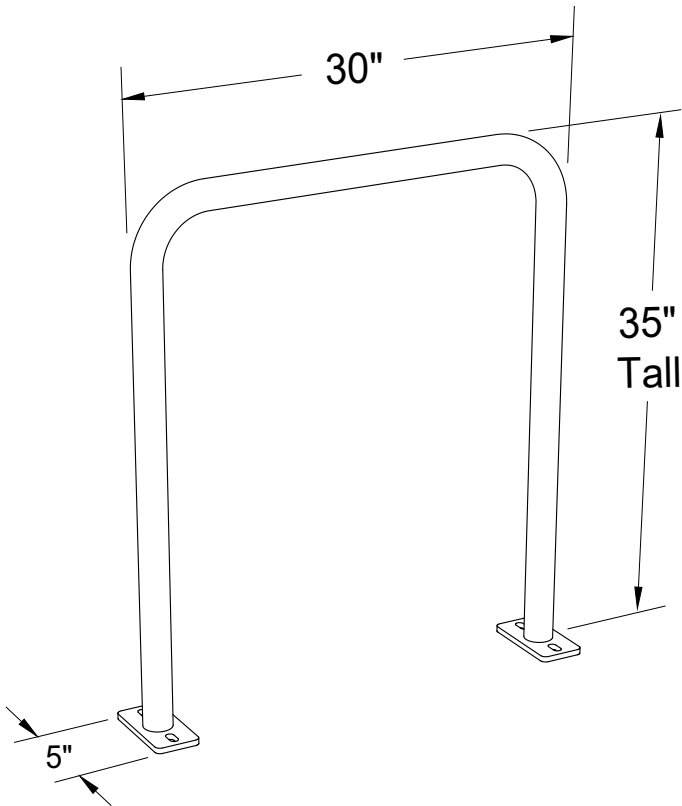
## Squared Arch Bike Rack

Surface Mount Model (Shown): 850360

In-Ground Model: 850365

Size: 30" Wide x 5" Deep x 35" Tall

Capacity: 2 Bikes



## Squared Arch Bike Rack

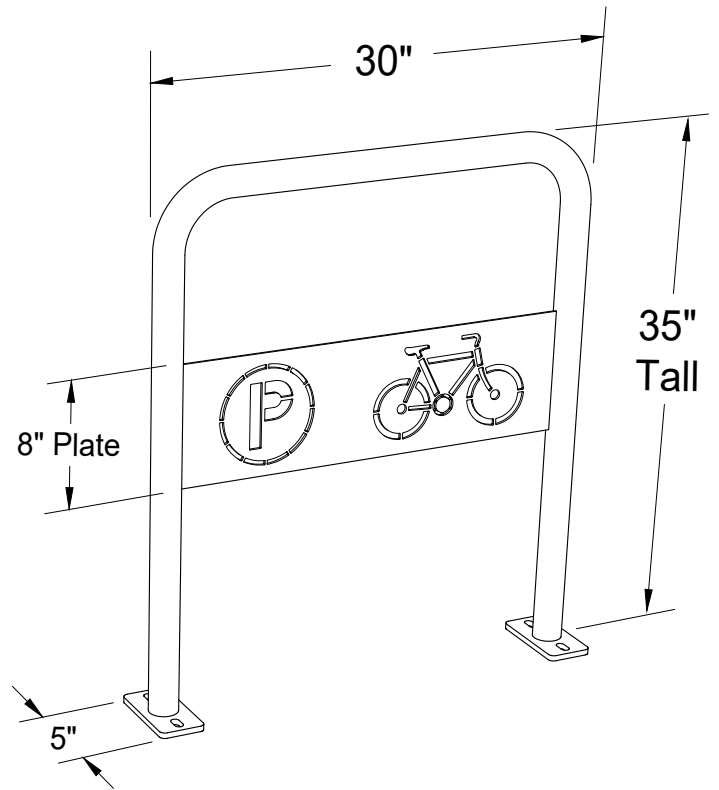
with Custom Logo Plate

Surface Mount Model (Shown): 850370

In-Ground Model: 850375

Size: 30" Wide x 5" Deep x 35" Tall

Capacity: 2 Bikes



### Description:

The Squared Arch Bike Rack conveniently parks 2 bikes yet maintains a slim profile when not in use. Excellent security is provided by the heavy gauge round steel tubing.

Available in both Surface Mount and In-Ground/Embedded configurations.

Parks 2 bikes.

### Description:

The Squared Arch Bike Rack conveniently parks 2 bikes yet maintains a slim profile when not in use. Excellent security is provided by the heavy gauge round steel tubing.

The Custom Logo Plate provides a location for advertising, identification or commemorative text. The plate can be provided with custom laser-cut graphics or as a blank plate suitable for applied vinyl graphics.

Available in both Surface Mount and In-Ground/Embedded configurations.

Parks 2 bikes.