



GREENSPOKE

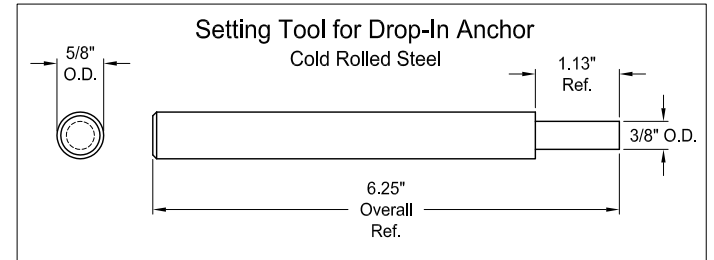
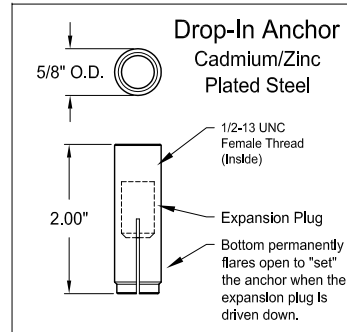
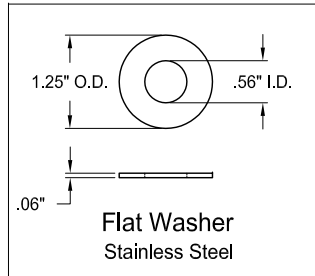
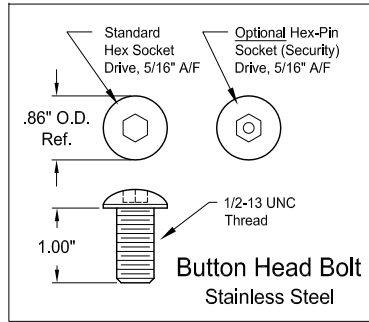
BIKE PARKING SOLUTIONS

1-844-888-9999
www.gogreenspoke.com

Drop-In Anchor Details and Installation

Video Reference: <https://www.youtube.com/watch?v=9mcwX70dxGw>

Rev.: 13Feb17



Step 1



Mark anchor locations on concrete and drill holes as shown with 5/8" masonry bit. **IMPORTANT:** Clear hole of ALL Concrete Dust!

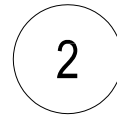
Drop-In Anchor: (Lightly tap into the hole with a Hammer until the top is flush with the top of the concrete.)

4" Min. Thickness of Fully Cured Concrete

2-1/8" Max. Hole Depth

Drill 5/8" Dia. Hole into Concrete

Step 2



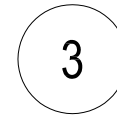
Hammer

Setting Tool (Shown here for reference purposes. See Step 2 for actual use.)

Drive Setting Tool into Anchor until the shoulder of the tool is flush with the top of the Anchor (as shown).

Expansion Plug (Shown here driven down to expand base of Drop-In Anchor.)

Step 3



Install Bolt & Washer to Secure Bike Rack or other Site Amenity.

