

# Skateboard and Scooter Combo Rack

Surface Mount

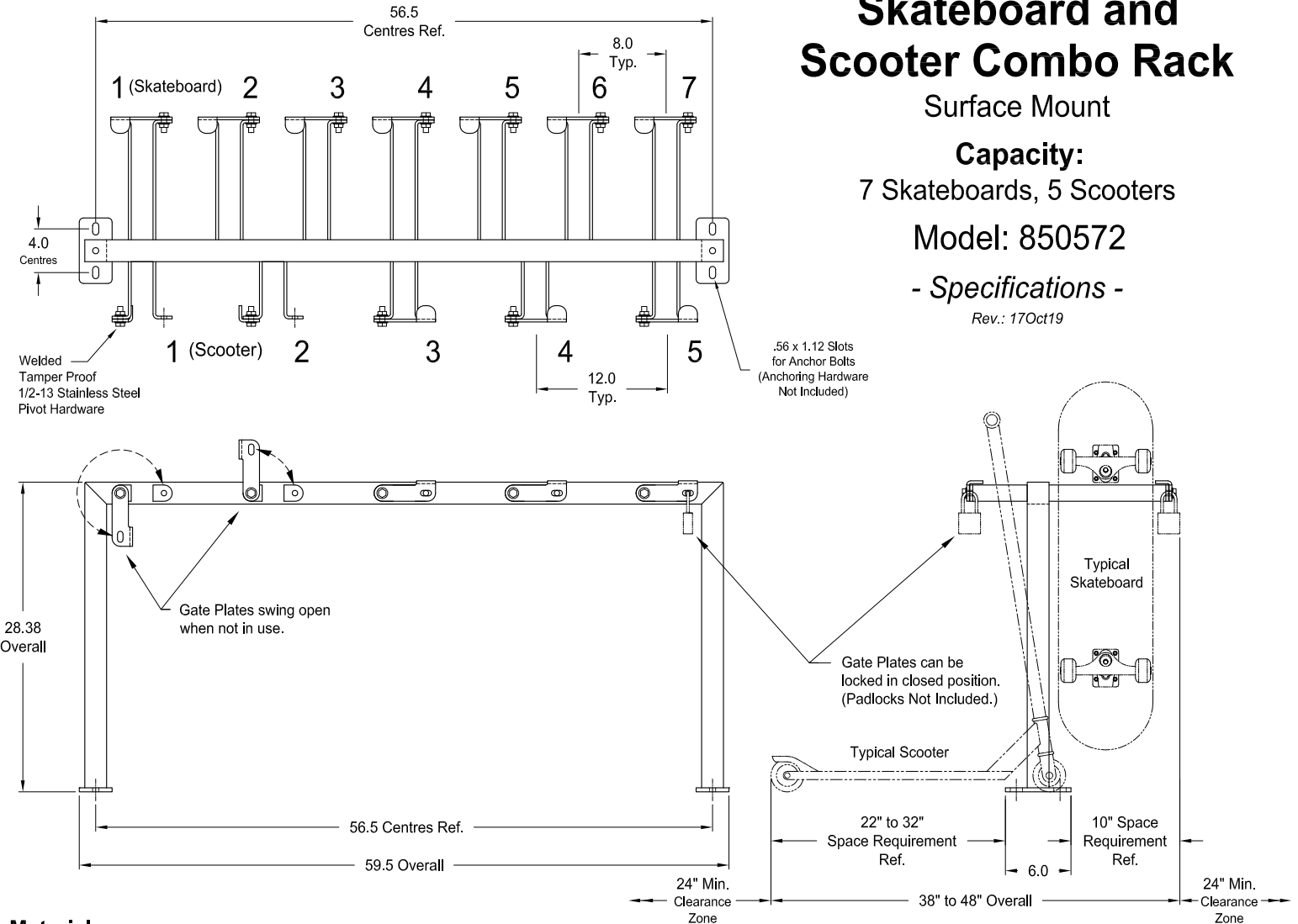
**Capacity:**

7 Skateboards, 5 Scooters

**Model: 850572**

- Specifications -

Rev.: 17Oct19



## Materials:

Tube: 2" x 2" x .125" Wall HSS Tube

Mounting Plates: 3/8" Thick Steel

Gate Plates and L-Brackets: 1/4" Thick Steel

Pivot Hardware: 1/2-13 Stainless Steel

Note: Anchoring Hardware Not Included.

## Finishes:

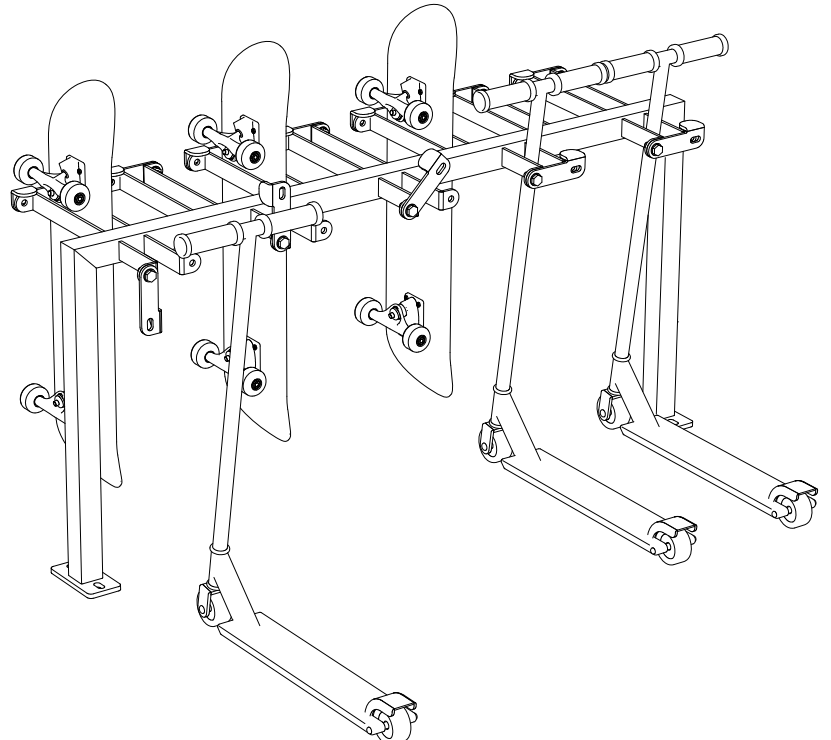
1) Polyester Powder over Zinc Rich Primer.

2) Hot Dip Galvanized.

Dimensions shown are in inches.

Greenspoke maintains a policy of continuous product improvement.

As a result, some details may change without notice.



**GREENSPOKE**  
BIKE PARKING SOLUTIONS

1-844-888-9999

www.gogreenspoke.com