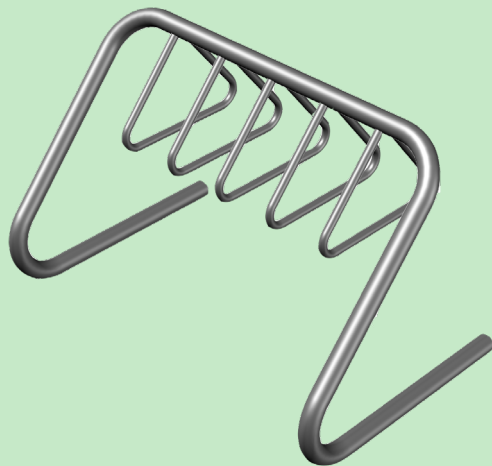
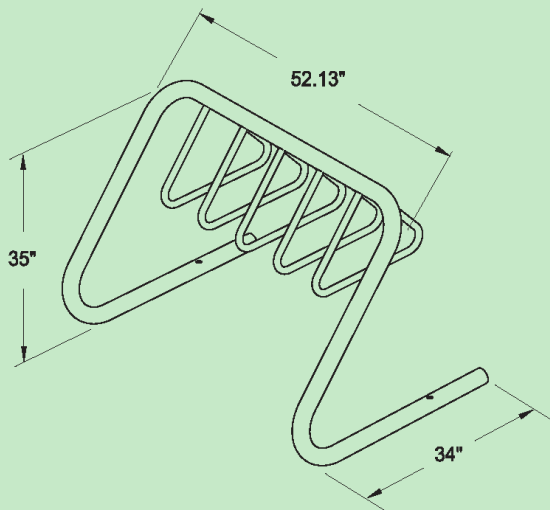



Triangle Loop

Product Outline




Parking Capacity

6-8 

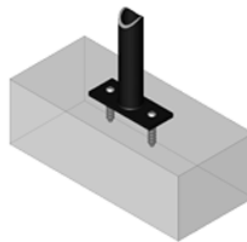
Materials


2.375" OD

Finishes

-  Powder Coat (over high strength steel)
Electrostatically applied powder finish over zinc-rich primer.
-  Stainless Steel
304 grade stainless steel with varying surface finishes available from gloss to satin.

Mounting Options



-  Surface
Base plates are anchored directly to the concrete using tamper proof anchors. Greenspoke includes the hardware required but there are several other hardware options also available.
Typical anchor hardware:
1/2" security bolt
1/2" drop-in anchor (with setting tool)