

2, 4, & 6 Triangle Loop EW-Bike Racks

Surface Mount, Permanent / Non-Portable

- Specifications -

Rev.: 13Oct23

Materials:

- 2.375" O.D. x .125" Wall HSS Tube (Main Frame)
- 3/4" O.D. Solid Steel Rod (Loops)
- 1/2" Thick Steel (Base Plates)

Finishes:

- 1) Hot Dip Galvanized over HSS Tube
- 2) Polyester Powder Paint over In-Line Galvanized Steel Tube

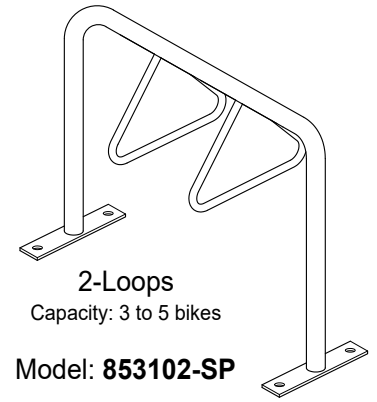
Notes:

Dimensions shown are Imperial (inches).
Anchoring Hardware Available Upon Request.
Greenspoke maintains a policy of continuous product improvement.
As a result, some details may change without notice.



GREENSPOKE
BIKE PARKING SOLUTIONS

1-844-888-9999
www.gogreenspoke.com



2-Loops

Capacity: 3 to 5 bikes

Model: **853102-SP**

