

3, 4, 5 & 7 Triangle Loop Bike Racks - Specifications -



GREENSPOKE
BIKE PARKING SOLUTIONS

1-844-888-9999
www.gogreenspoke.com

Rev.: 01Nov16

Hot Dip Galvanized Model Materials:

- 2.375" O.D. x .125" Wall HSS Tube (Main Frame)
- 3/4" O.D. Solid Steel Rod (Loops)
- 1/8" Thick Steel (End Caps)
- 3/16" Thick Steel (Anchor Plates)

Painted Model Materials:

- 2.375" O.D. x .120" Wall In-Line Galvanized Tube (Main Frame)
- 3/4" O.D. Solid Steel Rod (Loops)
- 1/8" Thick Steel (End Caps)
- 3/16" Thick Steel (Anchor Plates)

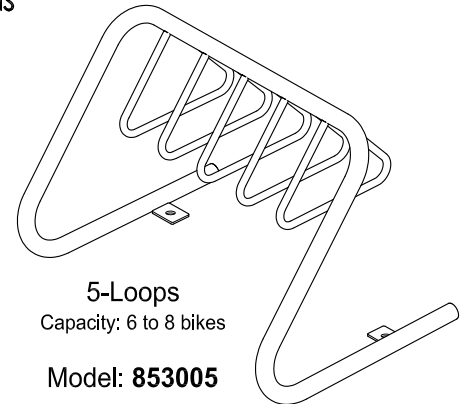
Finishes:

- 1) Hot Dip Galvanized over HSS Tube
- 2) Polyester Powder Paint over In-Line Galvanized Steel Tube

Notes:

Dimensions shown are Imperial (inches).
Anchoring Hardware Not Included.

Greenspoke maintains a policy of continuous product improvement.
As a result, some details may change without notice.



5-Loops
Capacity: 6 to 8 bikes

Model: 853005

