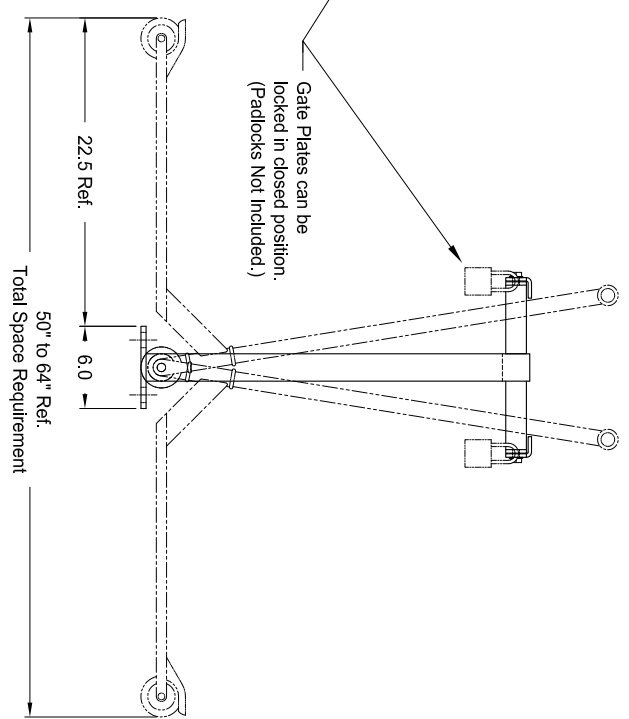


GREENSPOKE
 BIKE PARKING SOLUTIONS
 1-844-888-9999
 www.gogreenspoke.com



Scooter Rack

Double Sided, Surface Mount,
 10 Scooter Capacity

Model: 850575

- Specifications -

Materials:

- Tube: 2" x 2" x .125" Wall HSS Tube
- Mounting Plates: 3/8" Thick Steel
- Gate Plates and L-Brackets: 1/4" Thick Steel
- Pivot Hardware: 1/2-13 Stainless Steel

Note: Anchoring Hardware Not Included.

Finishes:

- 1) Polyester Powder over Zinc Rich Primer.
 - 2) Hot Dip Galvanized.
- Dimensions shown are in inches.
 Greenspoke maintains a policy of continuous product improvement.
 As a result, some details may change without notice.