



GREENSPOKE

BIKE PARKING SOLUTIONS

1-844-888-9999
www.gogreenspoke.com

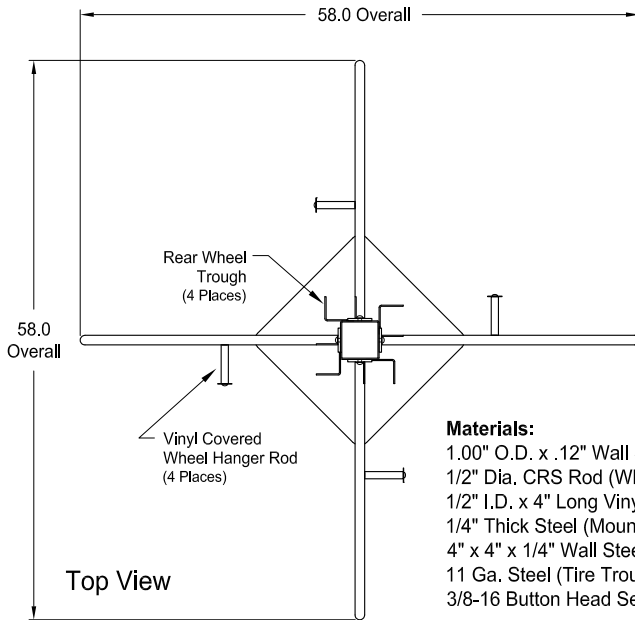
4-Way Bike Hanger Post

- Specifications -

Surface Mount Model: **850470**

In-Ground Model: **850475**

Rev.: 10Apr18



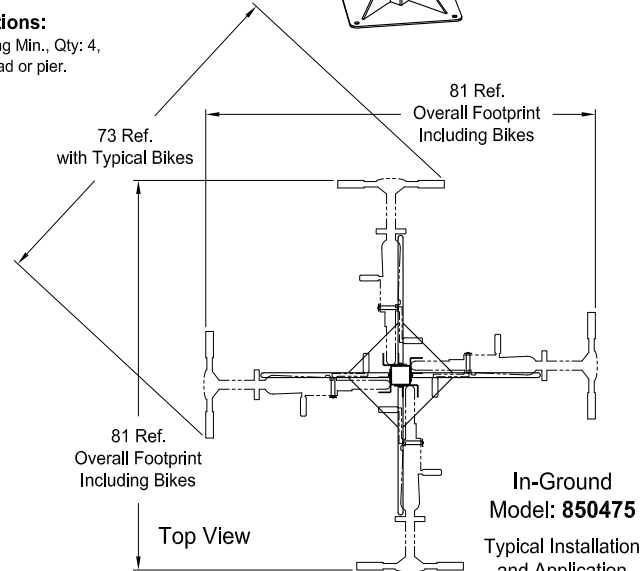
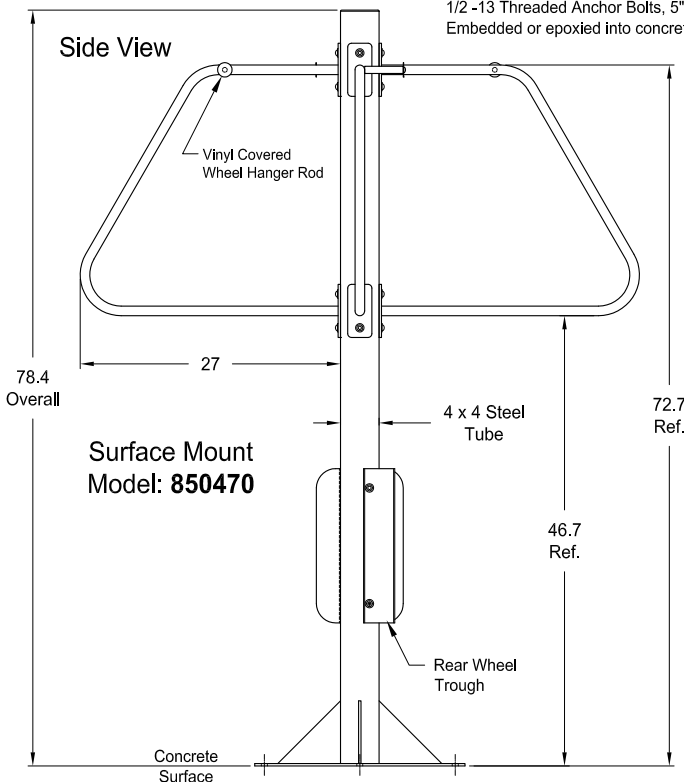
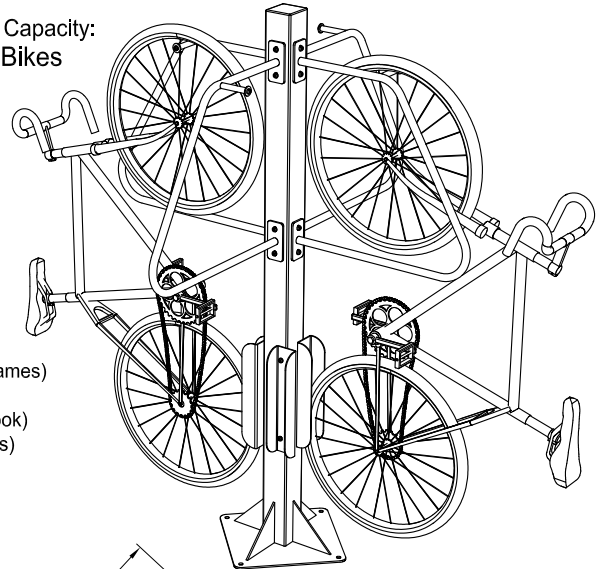
Materials:

- 1.00" O.D. x .12" Wall Steel Tube (Hanger Frames)
- 1/2" Dia. CRS Rod (Wheel Hook)
- 1/2" I.D. x 4" Long Vinyl Sleeve (for Wheel Hook)
- 1/4" Thick Steel (Mounting Plates and Gussets)
- 4" x 4" x 1/4" Wall Steel Tube (Main Post)
- 11 Ga. Steel (Tire Trough Brackets)
- 3/8-16 Button Head Security Bolts

Anchoring Hardware Suggestions:

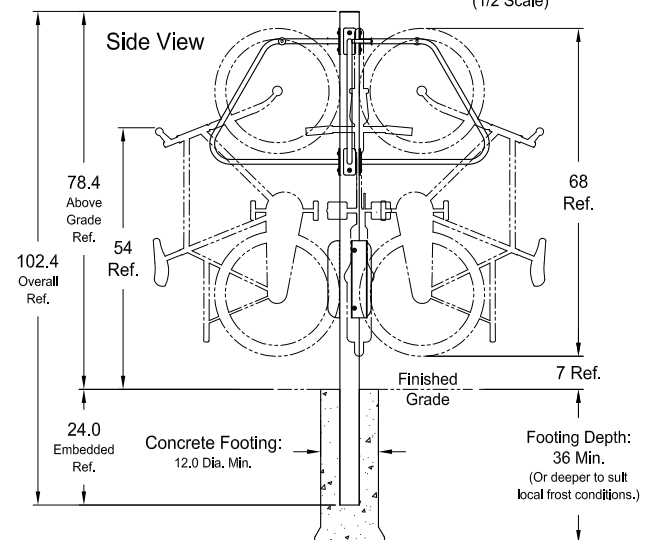
- 1/2-13 Threaded Anchor Bolts, 5" Long Min., Qty: 4, Embedded or epoxied into concrete pad or pier.

Total Capacity:
4 Bikes



In-Ground Model: **850475**

Typical Installation and Application (1/2 Scale)



Finish:

- 1) Polyester Powder Top Coat over Zinc Rich Primer.
- 2) Hot Dip Galvanized Coating.

Dimensions shown are in inches.

Greenspoke maintains a policy of continuous product improvement.

As a result, some details may change without notice.

