

"High Density" Bike Rack

7 Bike Capacity,
Fully Welded, Surface Mount

- Specifications -

Model: 850450-W

Rev.: 13Sep18

Materials:

- 1.32" O.D. x .125" Wall HSS Tube (Loops)
- 1.90" O.D. x .125" Wall HSS Tube (Horizontal Rails)
- 3/16" (7 Ga.) Thick Steel (Mounting Brackets)

Note: Anchoring Hardware Not Included.

Finish:

- 1) Polyester Powder Top Coat over Zinc Rich Primer.
- 2) Hot Dip Galvanized Coating.

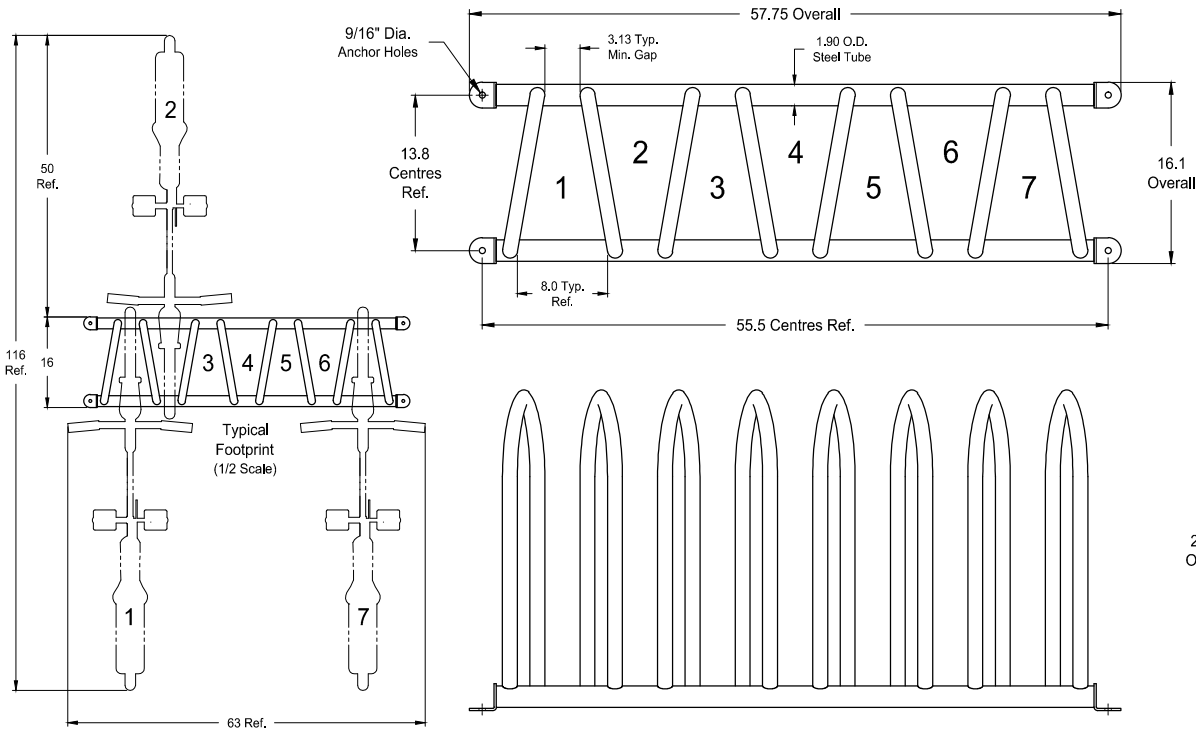
Dimensions shown are in inches.

Greenspoke maintains a policy of continuous product improvement.
As a result, some details may change without notice.



GREENSPOKE
BIKE PARKING SOLUTIONS

1-844-888-9999
www.gogreenspoke.com



This rack features the
added Security of
Fully Welded Assembly.

