

### "High Density" Bike Rack

Model: 850430-W

Surface Mount Only

Capacity: 3 Bikes

### "High Density" Bike Rack

Model: 850440-W

Surface Mount Only

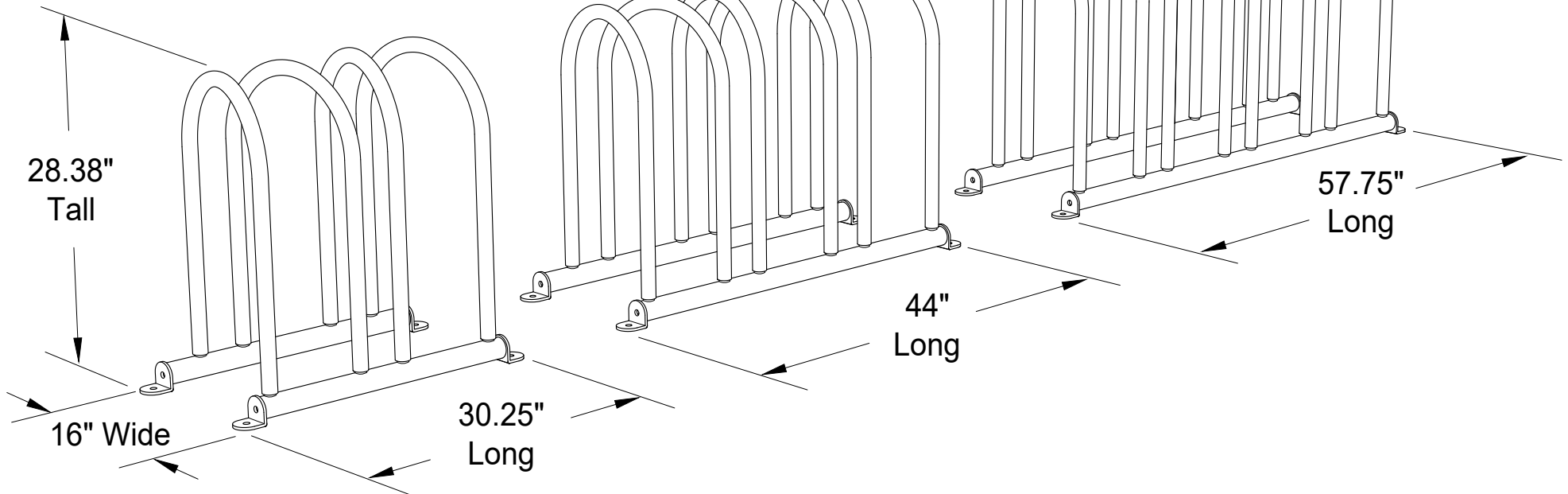
Capacity: 5 Bikes

### "High Density" Bike Rack

Model: 850450-W

Surface Mount Only

Capacity: 7 Bikes



### Description:

The "High Density" series of racks provide great security where space is at a premium. The high bike capacity is achieved by utilizing alternating, bi-directional access. The fully welded design simplifies installation and improves both stability and security.

The Surface Mount configuration can be anchored for added security and stability or left as portable.

Models for parking 3, 5 or 7 bikes.