

GREENSPOKE

BIKE PARKING SOLUTIONS

1-844-838-9999

www.gogreenspoke.com

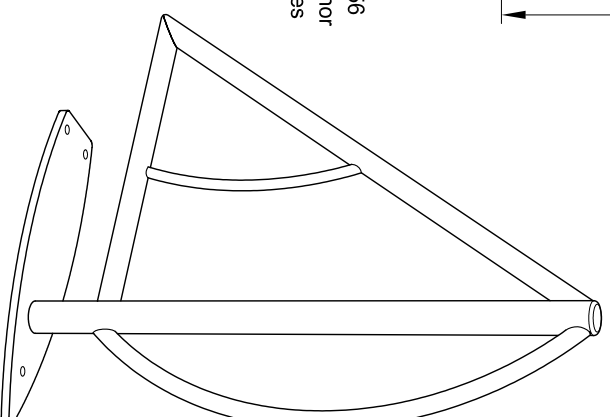
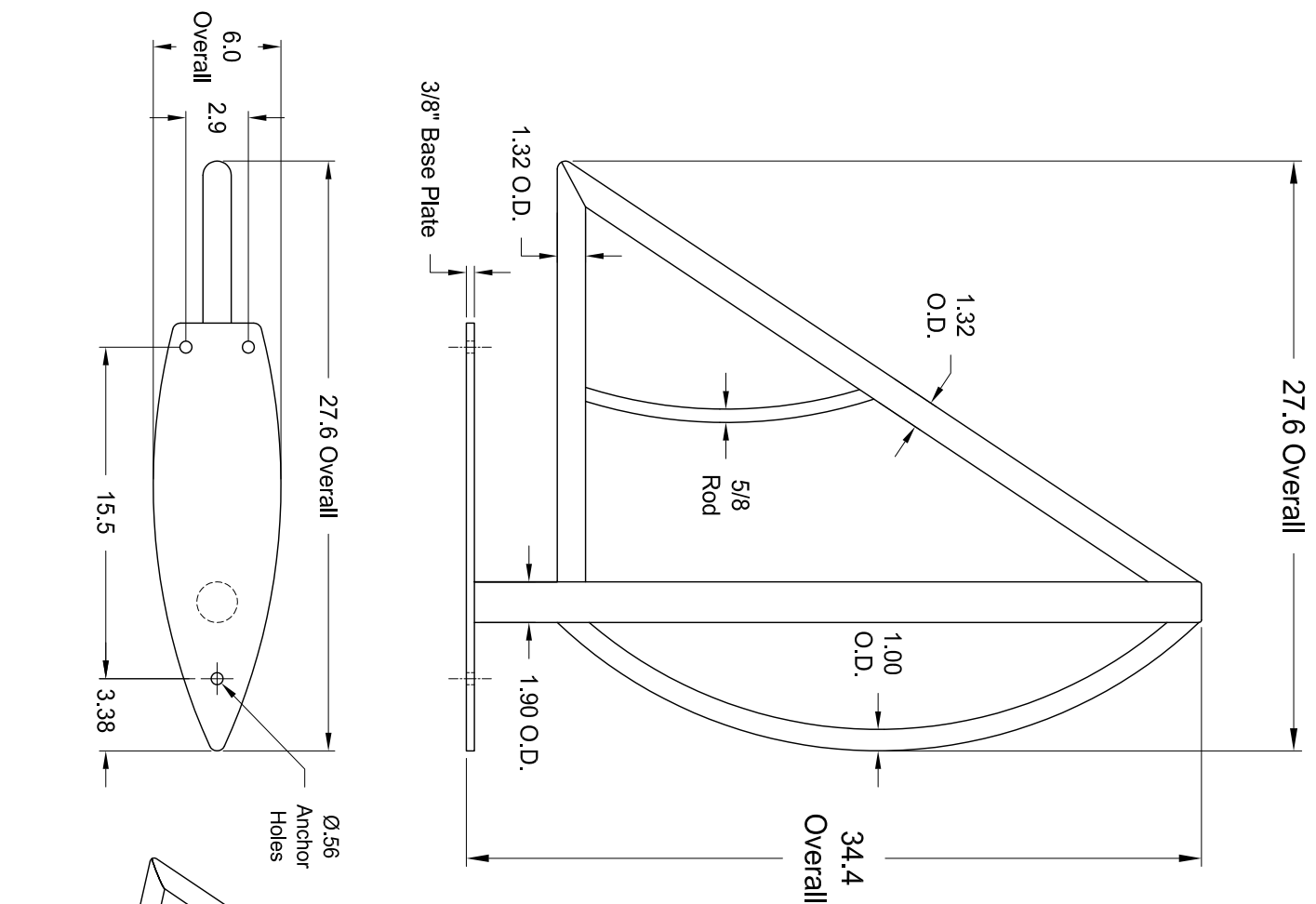
"Sea-Breeze" Bike Rack

Model: **850180**

Capacity: **2 Bikes**

- Specifications -

Rev.: 29Jun16



Materials:

- 1.9" O.D. x .125" Wall Steel Tube (Mast)
- 1.32" O.D. x .100" Wall Steel Tube
- 1.05 O.D. x .100" Wall Steel Tube
- 5/8" Dia. Steel Rod
- 3/16" Thick Steel Plate
- Anchoring Hardware Not Included

Finish:

Polyester Powder Paint over Zinc Rich Primer.

Notes:

Dimensions shown are Imperial (feet & inches).

Greenspoke maintains a policy of continuous product improvement.

As a result, some details may change without notice.