

**In-Ground Model:
850175**

**Surface Mount Model:
850170**



GREENSPOKE
BIKE PARKING SOLUTIONS

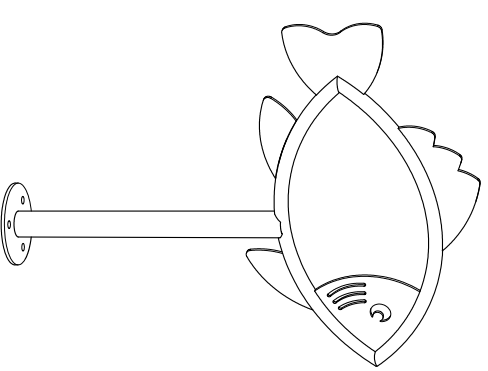
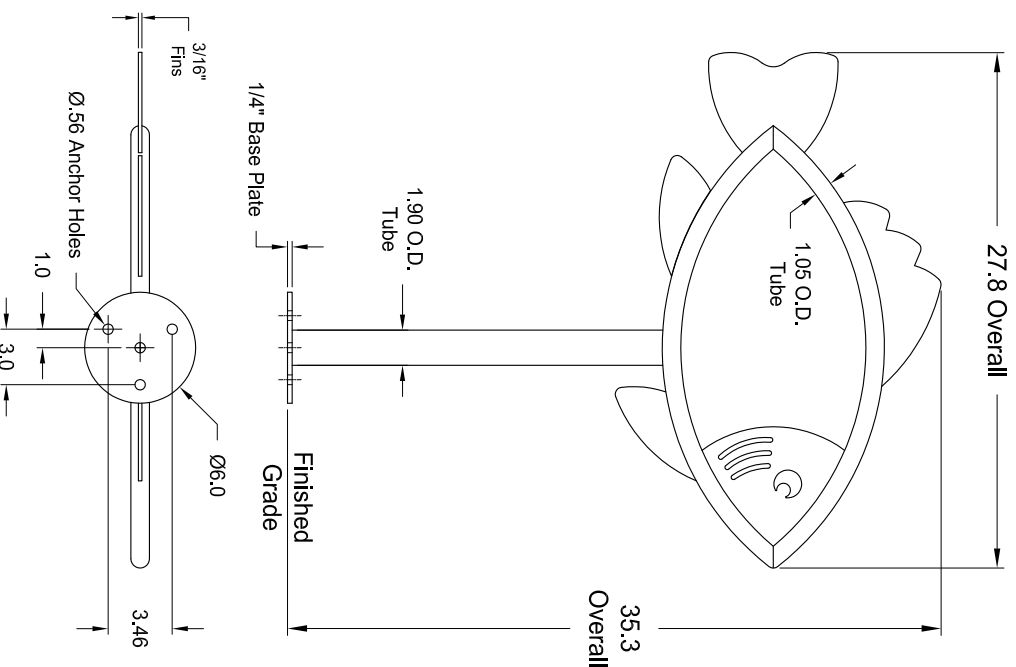
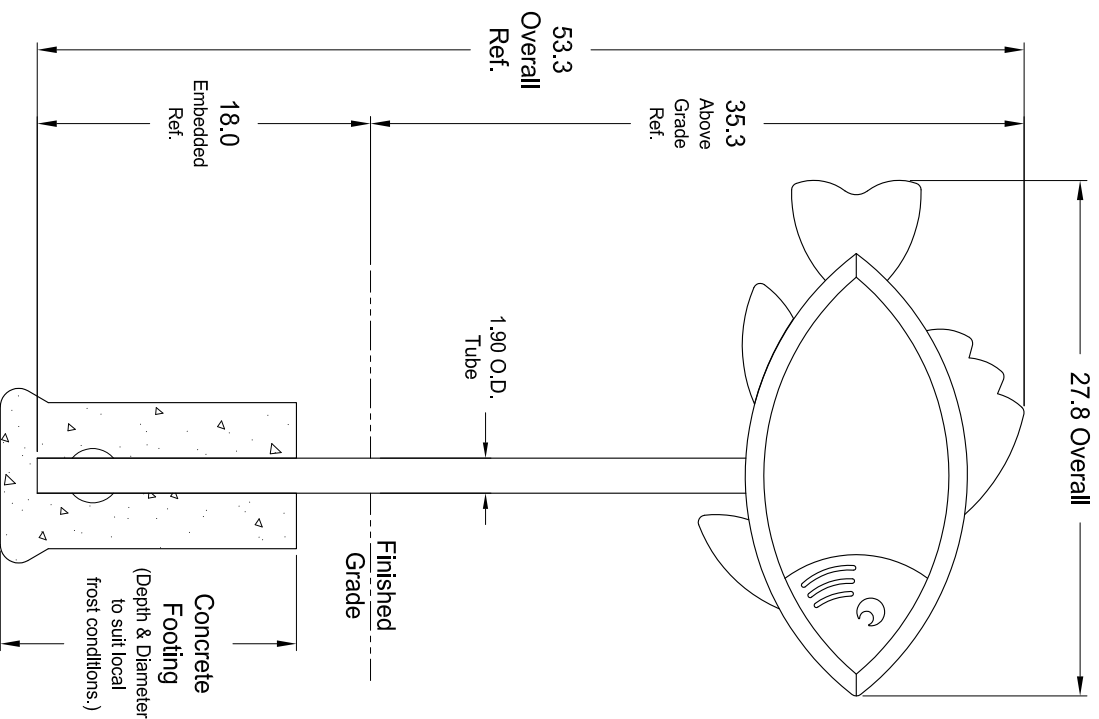
1-844-888-9999
www.greenspoke.com

"Fishstick" Bike Rack
Surface Mount Model: **850170**
In-Ground Model: **850175**

Capacity: 2 Bikes

- Specifications -

Rev.: 03Apr'18



Finish:
Polyester Powder Paint over Zinc Rich Primer.

Notes:
Dimensions shown are Imperial (inches).
Greenspoke maintains a policy of continuous product improvement. As a result, some details may change without notice.

Materials:
1.9" O.D. x .125" Wall Steel Tube (Main Post)
1.05" O.D. x .100" Wall Steel Tube (Fish Body)
3/16" Thick Steel Plate (Fins & Face)
Anchoring Hardware Not Included.

Description:

The "Fishstick" Rack conveniently parks 2 bikes yet maintains a slim profile and small footprint when not in use. Excellent security is provided by the heavy gauge round steel tubing. Suitable for children to encourage bicycle security or for use in an aquatic or marine environment. Installation is simplified with a single base plate or footing.