

5 Loop Bike Rack (Municipal Style)

Featuring Fully Welded Frame and Graphic Panels

- Specifications -

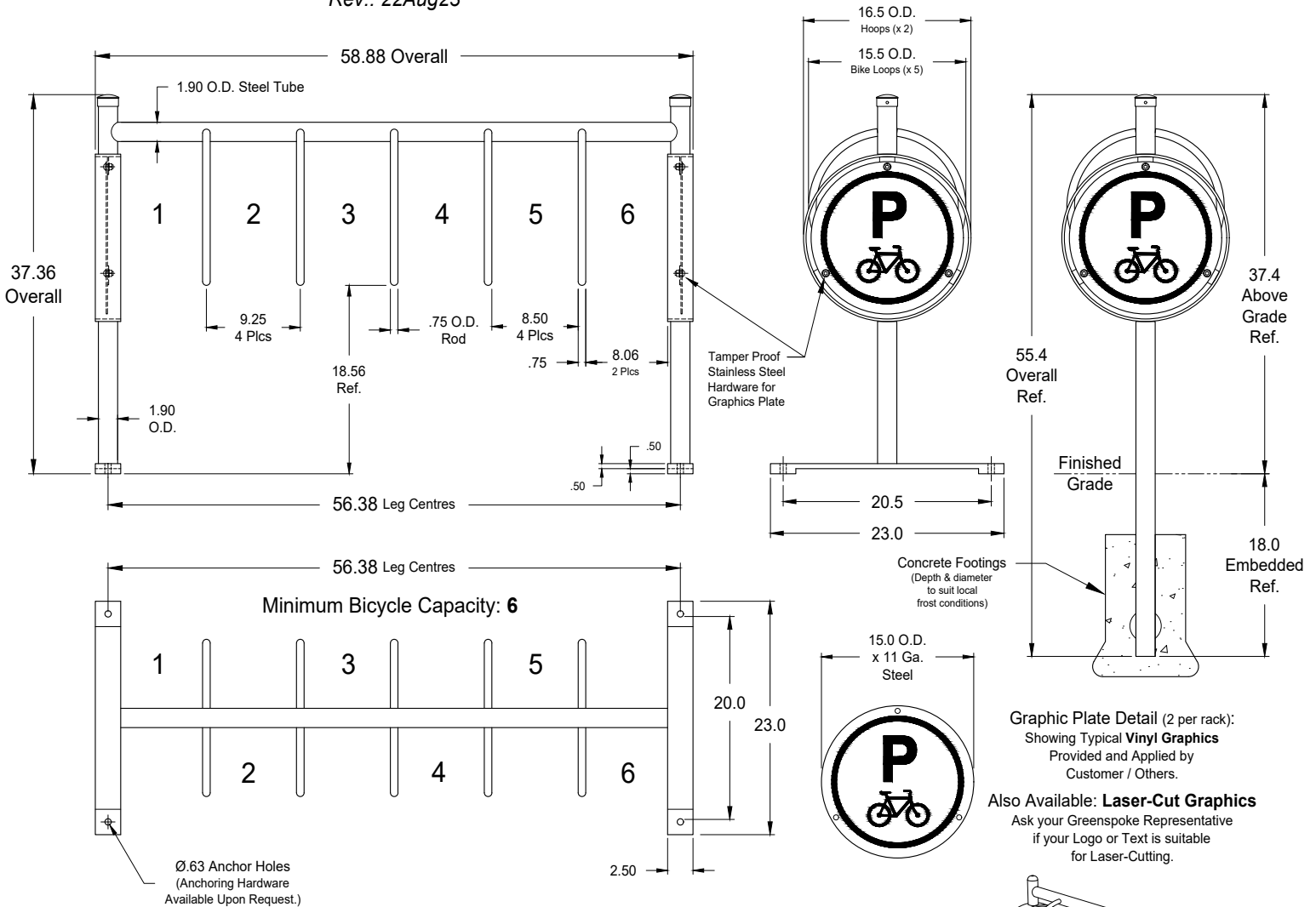
Rev.: 22Aug23

Surface Mount
Model (Portable):

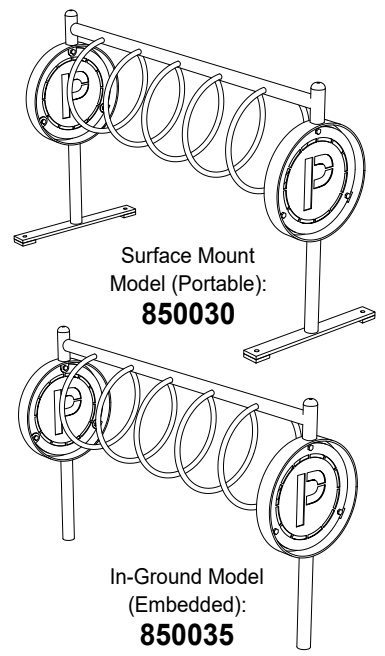
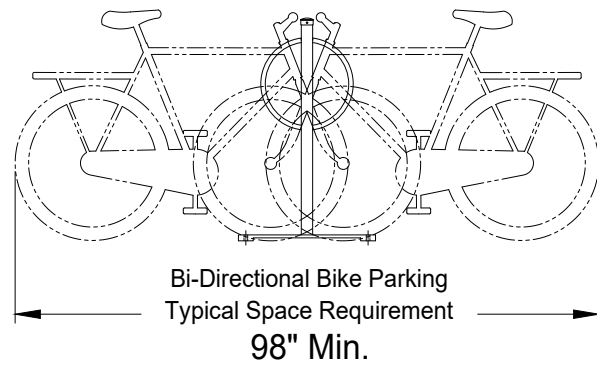
850030

In-Ground Model
(Embedded):

850035



Graphic Plate Detail (2 per rack):
Showing Typical Vinyl Graphics
Provided and Applied by
Customer / Others.
Also Available: **Laser-Cut Graphics**
Ask your Greenspoke Representative
if your Logo or Text is suitable
for Laser-Cutting.



Materials:

- Frame Tubes: 1.90" O.D. x .125" Wall Steel
- End Frame Hoops: 1/4" x 2.5" Steel
- Bike Loops: 3/4" Steel Rod
- Graphic Plates: 12 Ga. Thick Steel
- Base Plates: 1/2" x 2.5" Steel
- Post Caps: Aluminum
- Hardware: 3/8-16 Stainless Steel, Tamper Proof (Approx. Total Weight: 98 Lbs)

Finish:

- 1) Polyester Powder over Zinc Rich Primer.
- 2) Hot Dip Galvanized.

Dimensions shown are in inches.

Greenspoke maintains a policy of continuous product improvement. As a result, some details may change without notice.



GREENSPOKE
BIKE PARKING SOLUTIONS

1-844-888-9999
www.gogreenspoke.com