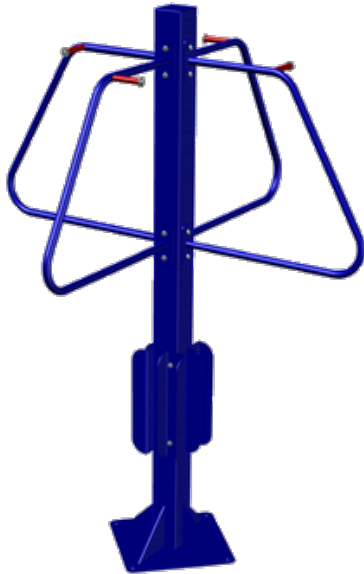


4-Way Bike Hanger Post

PRODUCT OUTLINE

LOW VOLUME PARKING



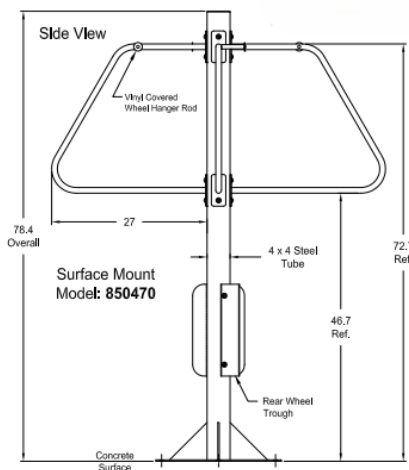
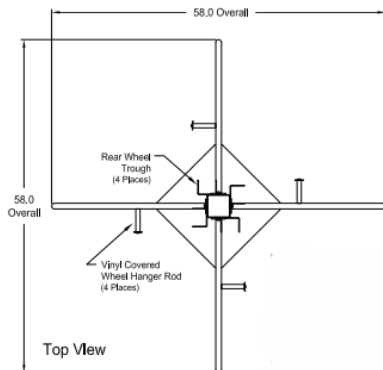
The 4-Way Bike Hanger Post is a unique system for storing up to 4 bikes securely off the floor. The rear wheel tray prevents damage from swaying bikes. Well suited for use in a courtyard or common area.

 4 BIKE CAPACITY

FEATURES Fully Welded Construction
High Strength Steel Tubing
Heavy Duty Steel Base Plates

FINISH Hot Dipped Galvanized
Powder Coat

MOUNT Surface
In-Ground



For additional information, please view the detailed specifications for this product.