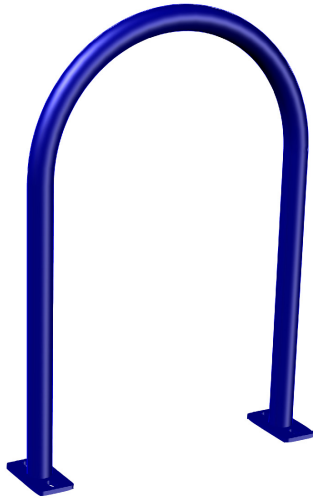


# Single Arch Rack

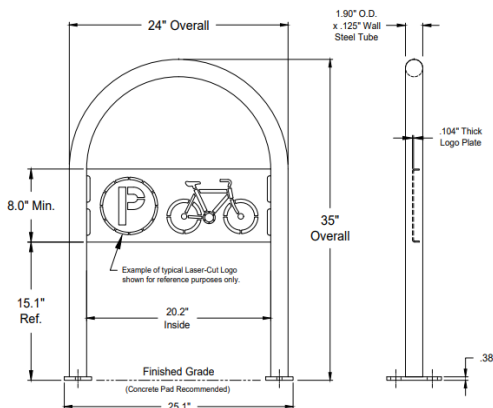
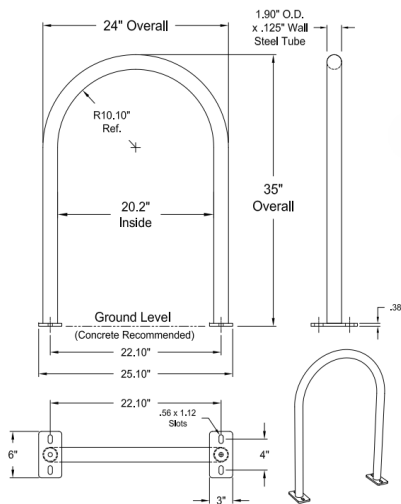
## PRODUCT OUTLINE

LOW VOLUME PARKING



The Single Arch conveniently parks 2 bikes and maintains a slim profile when not in use. The Graphics Bar is left blank so customer can apply their own vinyl graphics. The Custom Logo Plate can be provided with laser-cut graphics or as a blank plate suitable for vinyl graphics (applied by customer). The Logo Plate size can be adjusted to suit the logo or graphics.

 2 BIKE CAPACITY



**FEATURES** Fully Welded Construction  
High Strength Steel Tubing  
Heavy Duty Steel Base Plates

**FINISH** Hot Dipped Galvanized  
Powder Coat

**MOUNT** Surface  
In-Ground

 **CUSTOMIZATION AVAILABLE**

*For additional information, please view the detailed specifications for this product.*