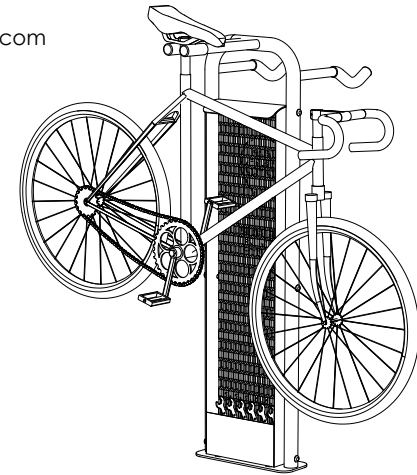
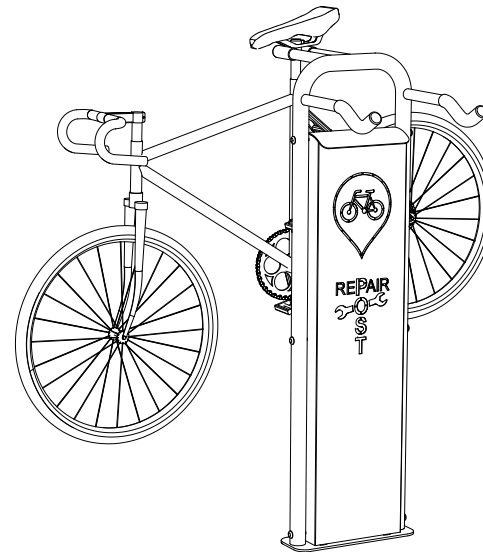
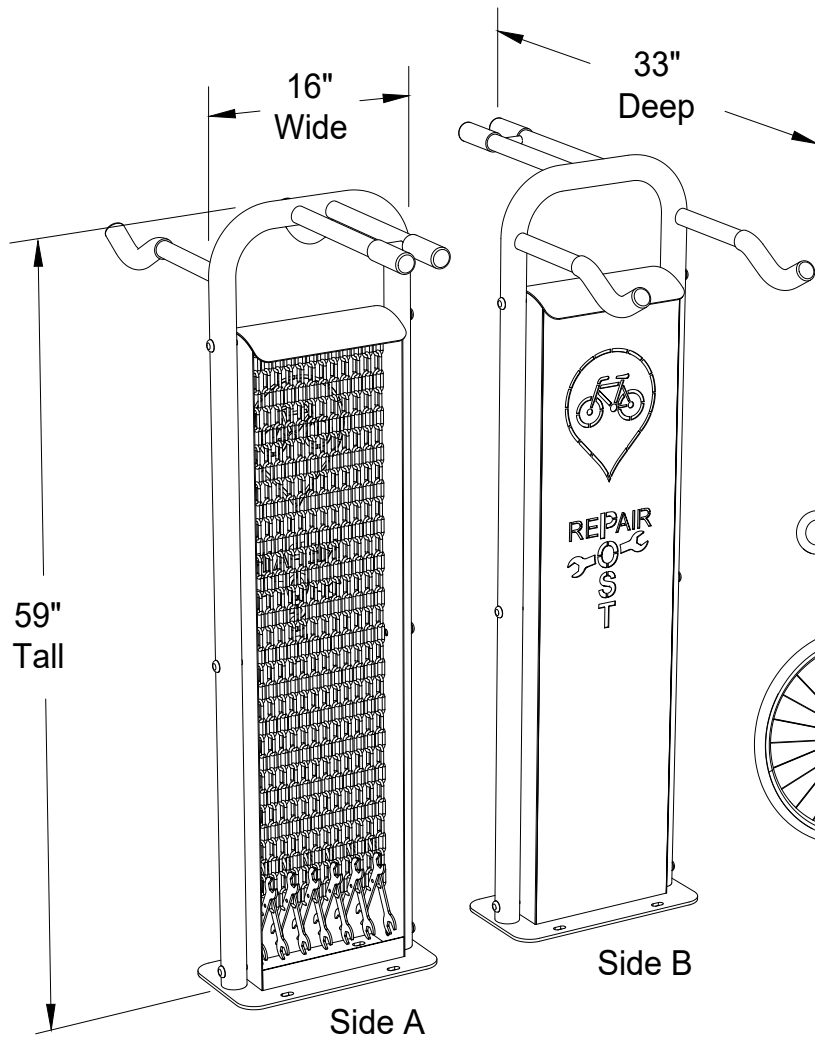




GREENSPOKE BIKE PARKING SOLUTIONS

1-844-888-9999
www.gogreenspoke.com



Bike Repair Post Model: **RP-V1**

Features: Full Complement of Tools
and 2 Bike Hangers

- *General Specifications* -

Rev.: 31Aug23

Ten of the most commonly required bike tools are provided, securely suspended from either Chain or Aircraft Cable.

- 1) Philips Screwdriver
- 2) Flat Head Screwdriver
- 3) Allen Wrench Combo Set: 2.5, 3, 4, 5, 6, and 8 mm
- 4) Open-end, flat wrenches for pedals, hubs, and bearings: 13, 14, 15 & 16 mm (Qty: 2)
- 5) Open-end, flat wrench for head set: 30, 32, 36, & 40 mm
- 6) Adjustable Wrench, 6" long, for axle nuts, etc.
- 7) Tire Levers (Qty: 2)

Tool Tether / Lanyard Options:

- 1) 36" Long, High Security Chain, Cut Proof 1/4" Diameter Hardened Steel, Transport Grade T-7 Type, with Corrosion Resistant Coating.
- 2) 36" Long, Plastic Coated, High Strength Stainless Steel, Braided Aircraft Cable with Swivel and Clevis; Provides superior flexibility and dexterity for tool use.

Primary Housing Materials:

- 1.90" O.D. x .125" Wall HSS Tube Frame.
- 1.25" O.D. x .125" Wall HSS Tube Bike Hangers.
- 14 Ga. Steel Housing.
- 7 Ga. Steel Tool Channel.
- 1/4" Thick Steel Base Plate.

Finish:

Polyester Powder over Zinc Rich Primer.

Dimensions shown are in inches.

Greenspoke maintains a policy of continuous product improvement. As a result, some details may change without notice.

