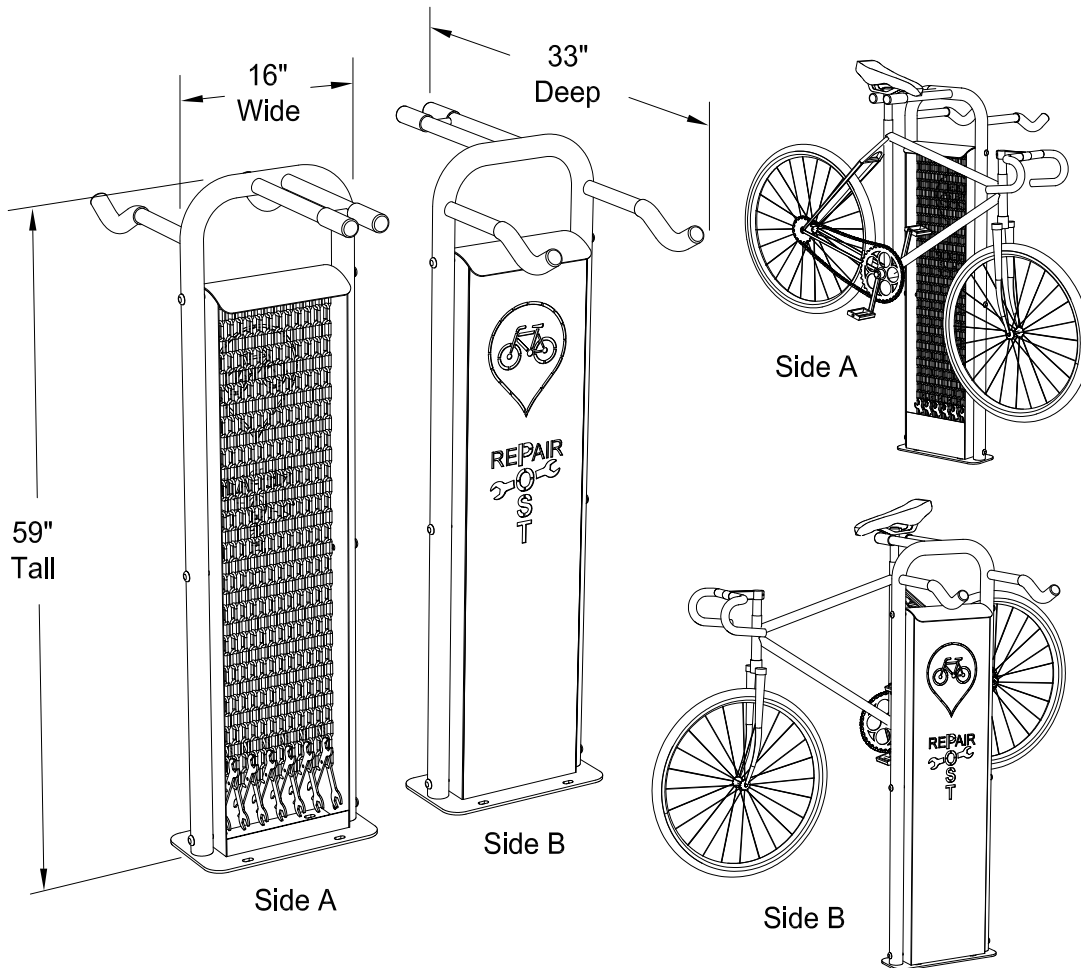


Bike Repair Post

Model: **RP-V1**

Features: Full Complement of Tools
and 2 Bike Hangers



Description:

The RP-V1 Repair Post provides a convenient place to perform road-side repairs on up to 2 bikes at a time. An excellent selection of the tools typically required for most repairs or adjustments are provided. The tools are safely secured on flexible tethers for ease of use.

TOOLS:

- 1) Philips Screwdriver
- 2) Flat Head Screwdriver
- 3) Allen Wrench Combo Set: 2.5, 3, 4, 5, 6, and 8 mm
- 4) Open-end, flat wrenches for pedals, hubs, and bearings: 13, 14, 15 & 16 mm (Qty: 2)
- 5) Open-end, flat wrench for head set: 30, 32, 36, & 40 mm
- 6) Adjustable Wrench, 6" long, for axle nuts, etc.
- 7) Tire Levers (Qty: 2)

Tool Tether / Lanyard Options:

- 1) 36" Long, High Security Chain, Cut Proof 1/4" Diameter Hardened Steel, Transport Grade T-7 Type, with Corrosion Resistant Coating.
- 2) 36" Long, Plastic Coated, High Strength Stainless Steel, Braided Aircraft Cable with Swivel and Clevis; Provides superior flexibility and dexterity for tool use.